

R99

**Dual Frequency 50kHz & 200kHz
2kW Transducer**

Performance that redefines fishfinding



R99, showing the high speed fairing

Raising the Bar in the Fishfinding Arena!

The new R99 is a fish's worst enemy. Why? The R99 is *so precise*, fish are no longer camouflaged by their surroundings. Down deep near the bottom— you'll detect them. Away from the bottom— fish don't have a fighting chance. With fifteen 50kHz elements in its arsenal, the R99 is the *find* in fishfinder.

The New Benchmark for High-Powered Performance!

The new R99 is a 2kW powerhouse. Packed with an array of fifteen 50kHz elements and an 88mm 200kHz narrow beam element, the performance is 4 times that of a B260 transducer. The R99's streamlined shape maintains noise free accurate readings at speeds over 30 knots. Add a high precision temperature sensor, and the R99 has rewritten the record book.

See the difference!

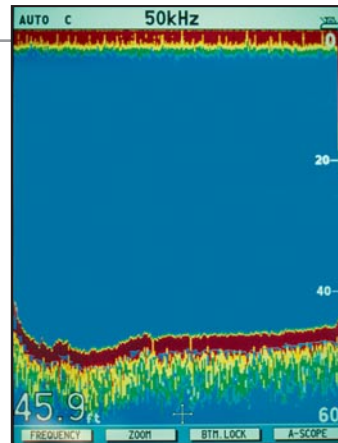
To the right, the display screens show exactly why the R99 is clearly the best choice for the serious sport fisherman!

Want to see for yourself? E-mail us at info@airmar.com or visit our website at www.airmar.com for more information!

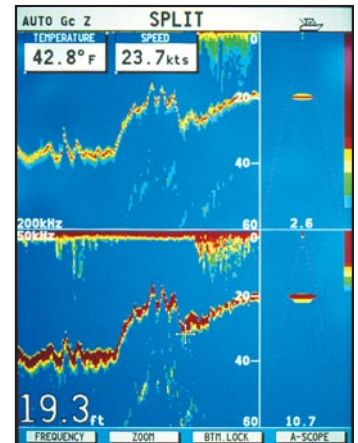
- The top performer in Airmar's professional line of fishfinder transducers for vessels 30' and up
- Streamlined shape with fairing provides excellent performance at speeds over 30 knots
- Fastest response water temperature sensor
- Interfaces to all 1kW and 2kW echosounders



- Unique stuffing tube seals the hull forming a water tight conduit for the cable



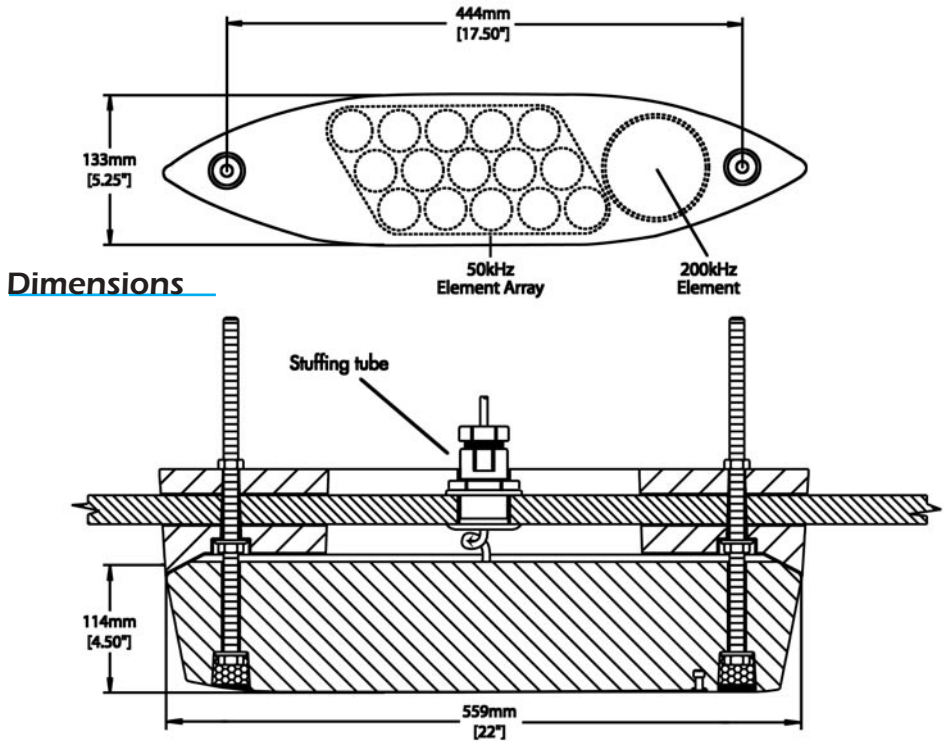
36 knots @ 50 kHz



23.7 knots, 200kHz & 50kHz

R99 vs. B260:

- Beam widths are narrower, concentrating energy for better target detection and bottom detail.
- Figure of merit is 6 dB higher at 50 kHz and 200kHz, as compared to the B260. This is equivalent to 4 times the sensitivity at each frequency.
- The Q at both 50 kHz and 200 kHz is significantly reduced, which means even much lower ringing and even better discrimination between closely spaced fish and between fish and bottom.



Performance Comparison

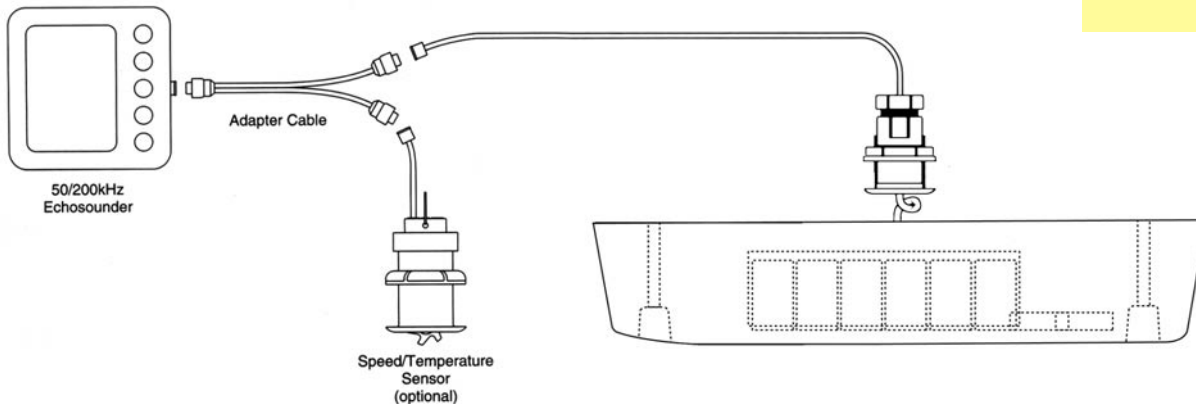
The table below compares the performance of the single element B744V, the four element B256, the seven element B260 and the R99

	Frequency	Beamwidth	Impedance (ohms)	TVR	RVR	FOM	Q
B744V	50kHz	45°	190	155dB	-174dB	-31dB	28
	200kHz	12°	410	164dB	-184dB	-21dB	31
B256	50kHz	14° x 23°	200	161dB	-168dB	-19dB	27
	200kHz	3° x 5°	370	170dB	-178dB	-9dB	30
B260	50kHz	19°	250 *	162dB	-173dB	-14dB	8
	200kHz	6°	335 *	169dB	-186dB	-16dB	10
R99	50kHz	9° x 17°	225 *	167dB	-174dB	-9dB	3
	200kHz	6°	320 *	173dB	-185dB	-10dB	6

* Other impedances available

High Speed Fairing

High speed fairing reduces drag and provides excellent performance and bottom definition at speeds above 30 knots



The R99 is available with an optional diplexer.

The diagram shows the connectivity, using the R99 as an example.