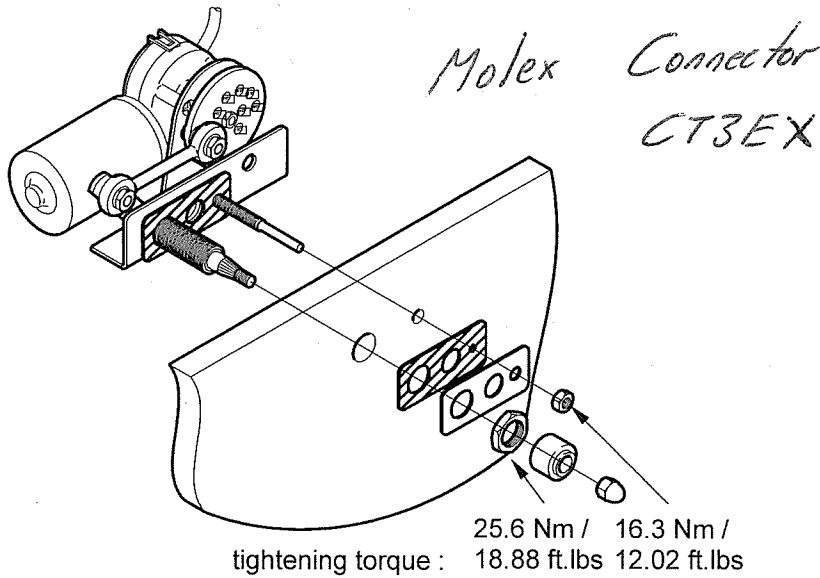


Attention!

When installing the wiper, reserve space for a housing or cover.

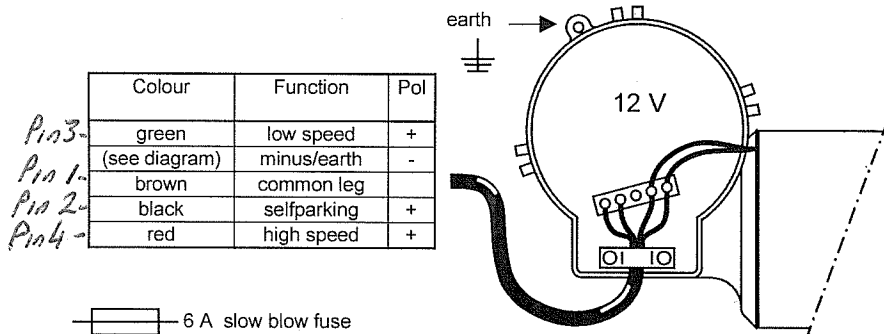


2. Place the windshield wiper in the pre-drilled holes of the bulkhead (see figure). A nitrile plate must be placed at both sides of the bulkhead.
3. Do not fit the wiper arm before finishing the electrical connections.

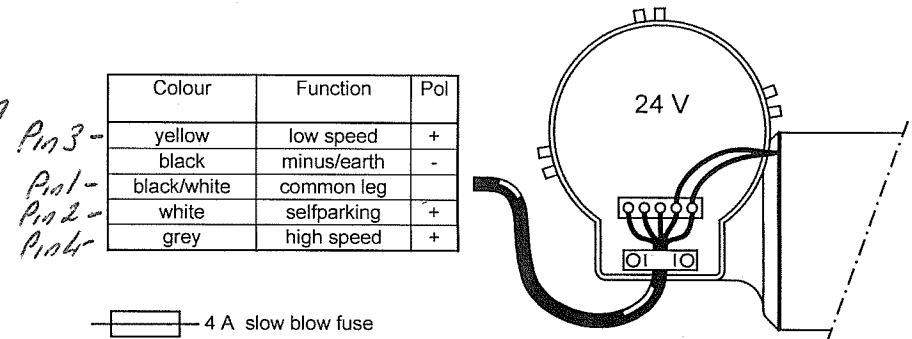
3.3 Electrical installation

4. Install a wiper switch in the dashboard.

Wiring diagram 223 BD 12 Volt



Wiring diagram 223 BD 24 Volt



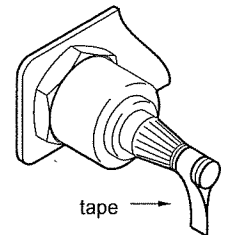
5. Connect the wiper to the ship's electrical installation; see the diagram above. Use a cable with 5 wires with diameter of at least 1½ mm² (16 g) up to a maximum length of 10 m. Use larger diameters when using longer cables.
6. Fit a slow blow fuse of 6 A (12 Volt) res. 4 A (24 Volt) in the main cable.
7. Connect the switch to the wiper (refer to that specific manual for installation).

3.4 Final installation

8. Switch on the power and test the motor briefly. Wait until the motor stops after turning off the switch. The motor will be in park position. The standard park position is shown in the figure under point 9.

Hint!

If you have doubts regarding the park position, make a vane with tape to simulate the position of the arms.



Attention!

The 223 BD is suitable for wiper arms model PU up to 750 mm with wiper blades up to 800 mm.

9. Place the wiper arm with the blade on the shafts. Fasten the nuts loosely onto the shafts.