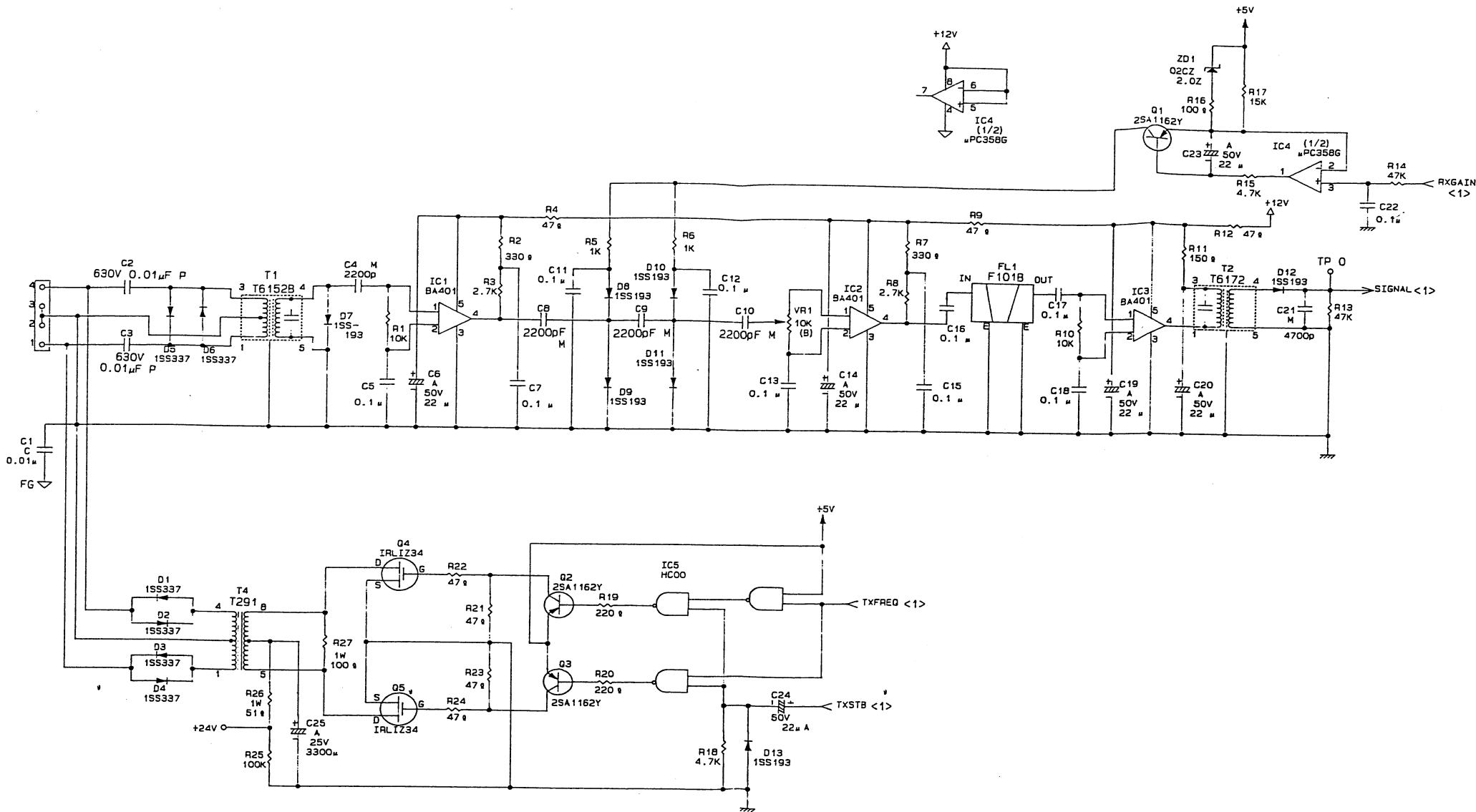


M=MAILAR P=POLIPLD CAPACITOR	
□=4.7K PULL UP REGISTER	
APPROVED	MODEL FEC-607
CHECKED	NAME 6" CPU BOARD
DRAWN	PS NO.=60500E
DATE JAN-10-'92	DMG.NO. /607/60700E-1
FUSO ELECTRONICS, INC.	CODE



NOTE
 1.P=POLYPROPYLENE FILM CAPACITORS
 2.M=MYLAR CAPACITORS
 3.A=ALUMINUM ELECTROLYTIC CAPACITORS
 4.C=CERAMIC CAPACITOR
 5.UNSPECIFIED CAPACITORS ARE CERAMIC LAMINATED CAPACITORS
 6.UNSPECIFIED RESISTORS ARE 1/5W

NO.	DATE	CAREER	
APPROVED		MODEL	FUSO-N605, 605EX
CHECKED	WADA	NAME	6" CPU BOARD
DRAWN	IDA		PB NO.=60500E
DATE	JAN-28-'92	DWG.NO.	N605EX\60500E-2
FUSO ELECTRONICS, INC.		CODE	!