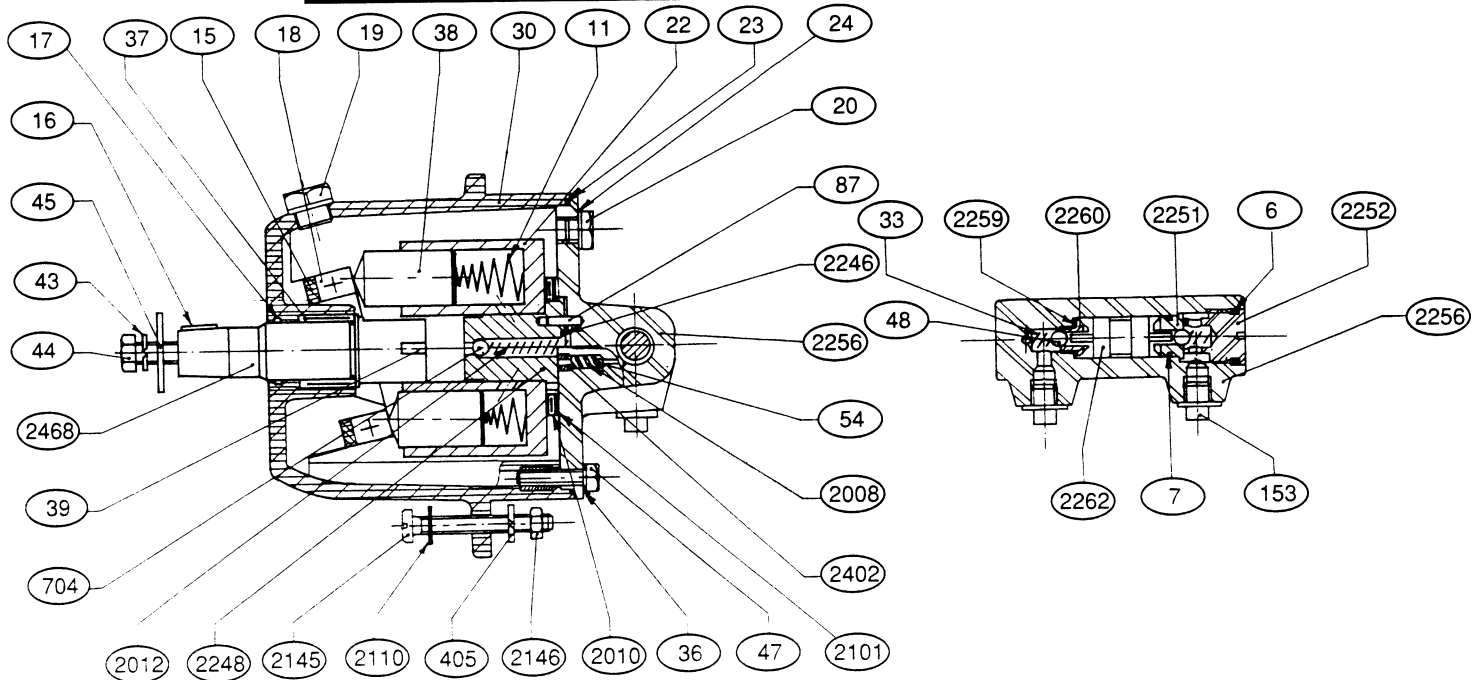


POMPE - PUMP 30 HB-CAR 2200950



REP.	NBR	CODE	DÉSIGNATION	
6	1	1200006	JOINT OR 17X2 N-70	O-RING 17X2 N-70
7	1	1200007	JOINT OR 12,05X1,5 N-70	O-RING 12.05X1.5 N-70
11	6	1200011	RESSORT PISTON HB	PISTON SPRING HB
15	1	1200015	CALE NEUTRE HB	NEUTRAL PACKING HB
16	1	1200016	CLAVETTE PARALLÈLE 4,76X4,76X20 A2	PARALLEL KEY 4.76X4.76X20 A2
17	1	1200017	JOINT OR 22X2 N-70	O-RING 22X2 N-70
18	1	1200018	BUTEE BILLES 51109	THRUST BALL BEARING 51109
19	1	1200019	BOUCHON H EVENT G 1/4 PLASTIQUE	PLASTIC VENTED H PLUG G 1/4
20	2	1200020	BOUCHON H G 1/4 LAITON N	N BRASS H PLUG G 1/4
22	1	1200022	BARILLET 129 HB	BARREL 129 HB
23	1	1200023	JOINT OR 105X2 N-70	O-RING 105X2 N-70
24	2	1200024	JOINT PLAT G 1/4 A	FLAT SEAL G 1/4 A
30	1	1200030	RÉSERVOIR 129 HB	TANK 129 HB
33	2	1200033	RESSORT 5X6X10,5	SPRING 5X6X10.5
36	4	1200036	RONDELLE PLATE Z 6 A	FLAT WASHER Z 6 A
37	1	1200037	DOUILLE AIGUILLES 22X28X20	NEEDLE THRUST BEARING 22X28X20
38	6	1200038	PISTON HB	PISTON HB
39	1	1200039	AXE ENTRAÎNEMENT HB	DRIVING AXLE HB
43	1	1200043	RONDELLE WZ 8 A4	WASHER WZ 8 A4
44	1	1200044	VIS H M8X25 A2	SCREW H M8X25 A2
45	1	1200045	RONDELLE LL8 A2	WASHER LL8 A2
47	4	1200047	VIS H M6X25 A2	SCREW H M6X25 A2
48	2	1200048	BILLE 7 ZT	BALL 7 ZT
54	2	1200054	BILLE 4 ZT	BALL 4 ZT
87	1	1200087	AIGUILLE A 3X13,8 ZT	NEEDLE A 3X13.8 ZT
153	2	1200153	BOUCHON STOCKAGE M.G 1/4	STORAGE PLUG M. G 1/4
405	4	1200405	RONDELLE WZ6 A4	WASHER W6 A4
704	2	1100704	BILLE 6 ZT	BALL 6 ZT
2008	2	1202008	RESSORT 3X4,6X12	SPRING 3X4.6X12
2010	1	1202010	CAGE AIGUILLES 35X52X2 TN	NEEDLE ROLLER CAGE 35X52X2 TN
2012	2	1202012	RESSORT 4X5X34,5	SPRING 4X5X34.5
2101	2	1202101	RONDELLE MINCE 35X52X1	THIN WASHER 35X52X1
2110	4	1202110	RONDELLE M6 U A2	WASHER M6 U A2
2145	4	1202145	VIS CLS M6X50 A2	SCREW CLS M6X50 A2
2146	4	1202146	ECROU H M6 A2	NUT H M6 A2
2246	2	1202246	JOINT OR 11X1,5 N-70	O-RING 11X1.5 N-70
2248	1	1202248	AXE DISTRIBUTION 20 HB	CHANGE-OVER DRIVING AXLE 20 HB
2251	1	1202251	SIÈGE AV 20 HB	FRONT-SEAT 20 HB
2252	1	1202252	BOUCHON CAR 20 HB	LOCK VALVE PLUG 20 HB
2256	1	1202256	FLASQUE 30 HB-CAR	FLANGE 30 HB-CAR
2259	1	1202259	JOINT PLAT G 1/8 FIBRE	FLAT SEAL G 1/8 FIBER
2260	1	1202260	SIÈGE AR 20 HB	BACK-SEAT 20 HB
2262	1	1202262	TIROIR 20 HB	SLIDE 20 HB
2402	2	1202402	VIS CLAPET SUPPRESSION HB	SCREW FOR RELIEF VALVE HB
2468	1	1202468	ARBRE 35 HB	SHAFT 35 HB

CODE

1202263

DÉSIGNATION SOUS-ENSEMBLE

POCHETTE JOINTS 30 HB-CAR

DESIGNATION OF SUB-ASSEMBLY

SEAL KIT 30 HB-CAR