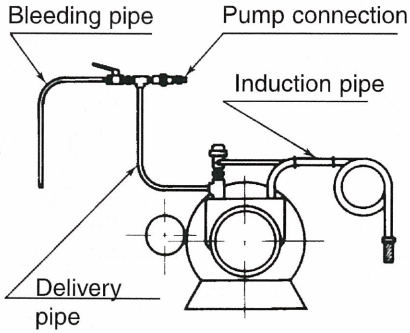


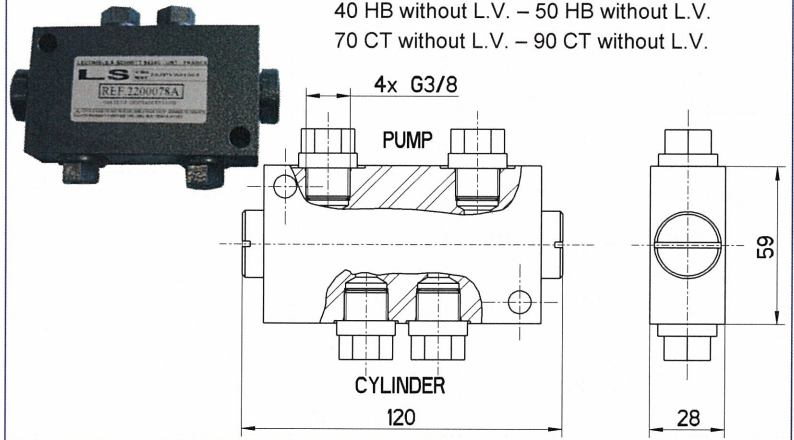
# OPTIONAL ADDITIONS TO OUR STEERING SYSTEMS

**2200685** 3 l/mn filling unit



**2200078** Lock valve on line LS 115

For pumps: 30 HB without L.V. – 35 HB without L.V.  
40 HB without L.V. – 50 HB without L.V.  
70 CT without L.V. – 90 CT without L.V.

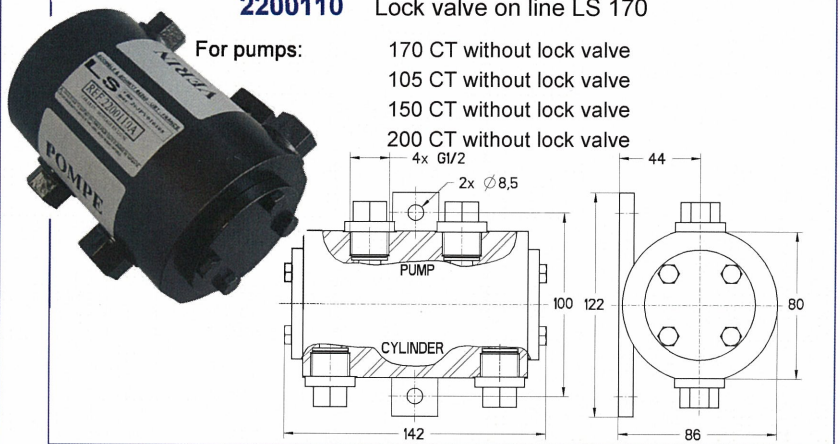


- 2200376** Electrical by-pass NO 06 12 VDC
- 2201479** Electrical by-pass NO 06 24 VDC
- 2200566** Electrical by-pass NO 12 12 VDC
- 2201438** Electrical by-pass NO 12 24 VDC

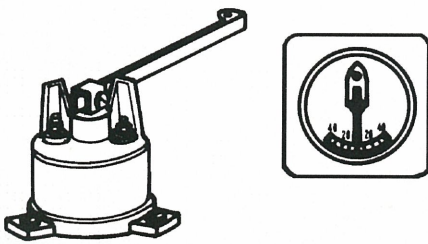


**2200110** Lock valve on line LS 170

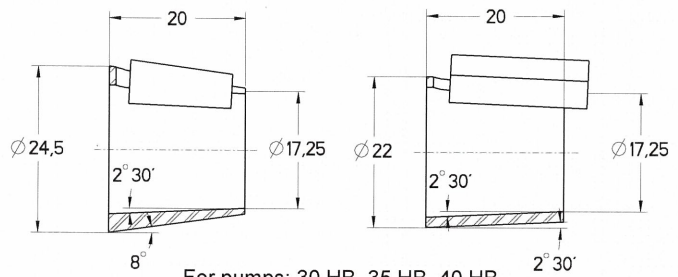
For pumps: 170 CT without lock valve  
105 CT without lock valve  
150 CT without lock valve  
200 CT without lock valve



**2200183** Rudder angle indicator  
(Transmitter + receiver)

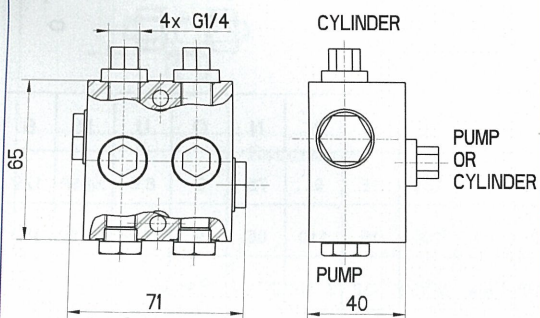


- 2200029** Adaptable cone + pin  $\varnothing 24.5$  -  $8^\circ$  angle
- 2201138** Adaptable cone + pin  $\varnothing 22$  -  $2.30^\circ$  angle



For pumps: 30 HB, 35 HB, 40 HB

**2200121** Pressure relief valve



**2200213** Synchro valve

