

HYDRAULIC STEERING SYSTEMS FOR OUTBOARD MOTORS



FOR OUTBOARD MOTORS UP TO 150 H.P.
(230 H.P. for two motors working in counter-rotation)
Contact us for boat speed exceeding 40 knots

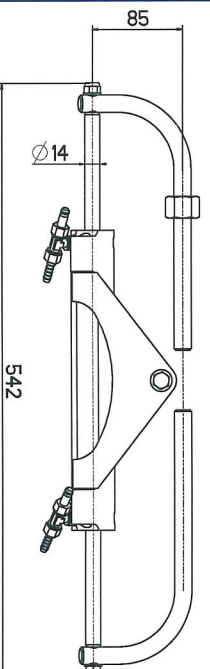
LS 2428

2202274

Pump 201 HB with lock valve +
 fittings + cylinder VHM EX 281
 + fittings + 10 m flexible tube

**Code of elements that can
 make up a complete kit**

PORT TO STARBOARD 4,8 turns

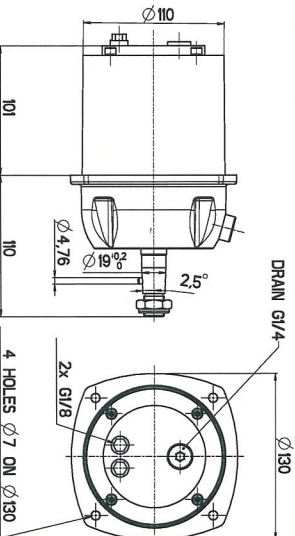


2201980	Pump 201 HB with lock valve
2202275	Cylinder VHM EX 281 + fittings
2201989	Set of fittings for pump 201 HB
2200810	Ø 6 mm flexible tube (per metre)
2200017	Oil (2 litre can)

- 1 motor
- 1 cylinder
- 1 pump

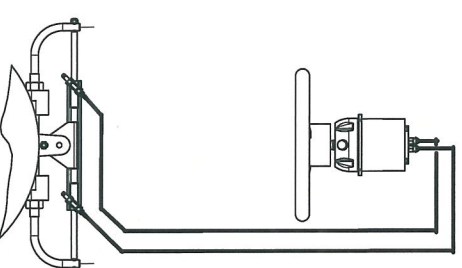
2202275 VHM EX 281

Weight: 2.8 kg

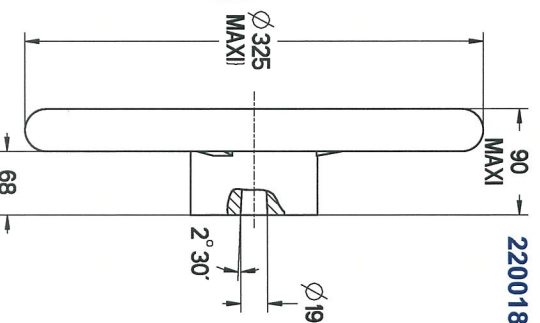


2201980 201 HB with lock valve

Weight: 2.7 kg



2200181 Plastic wheel



2200182

Imitation leather/anodised aluminium wheel

