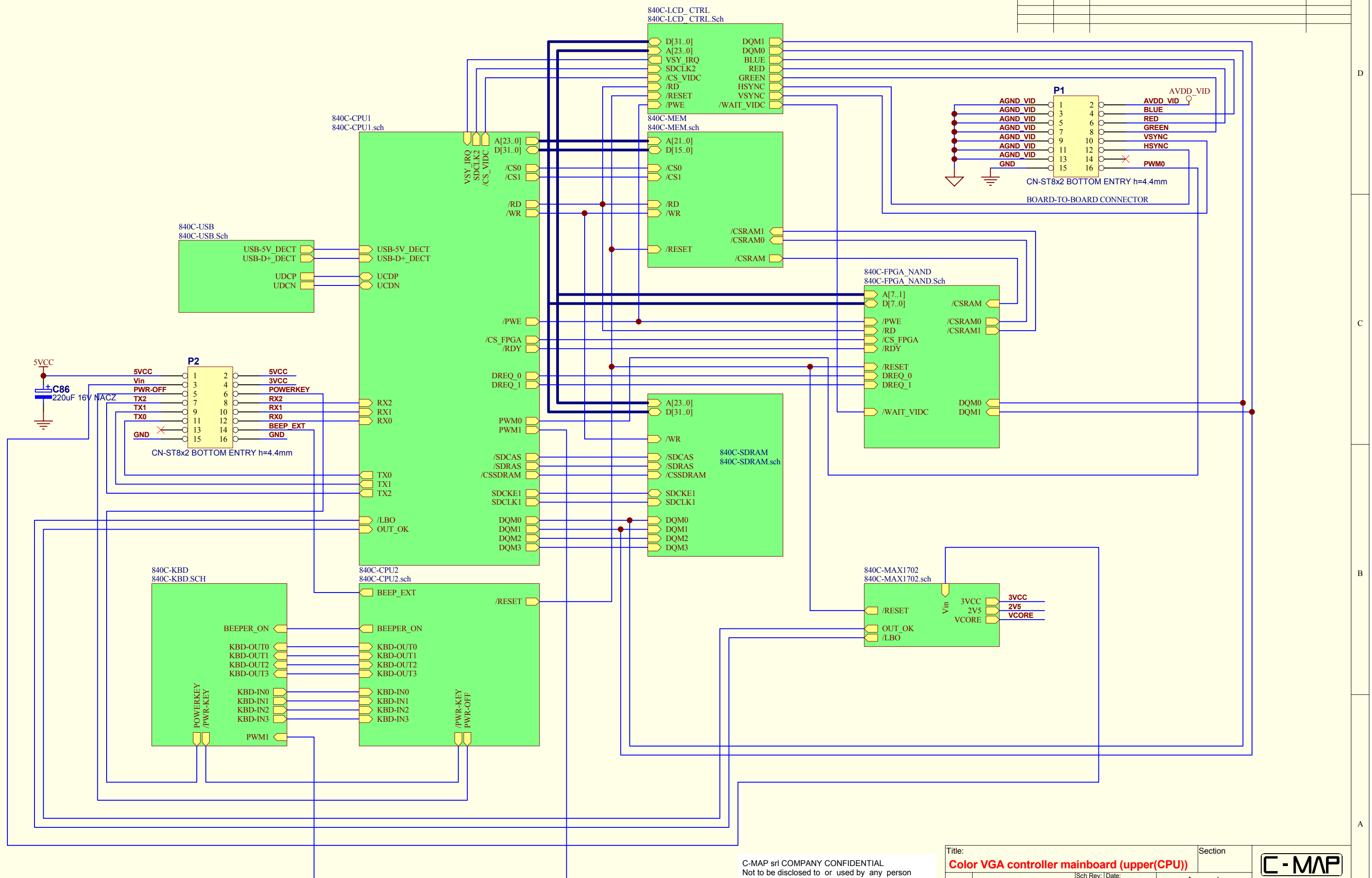


REVISION HISTORY			
REV. No.	Affected Zone	Description of changes/Related doc.	DATE



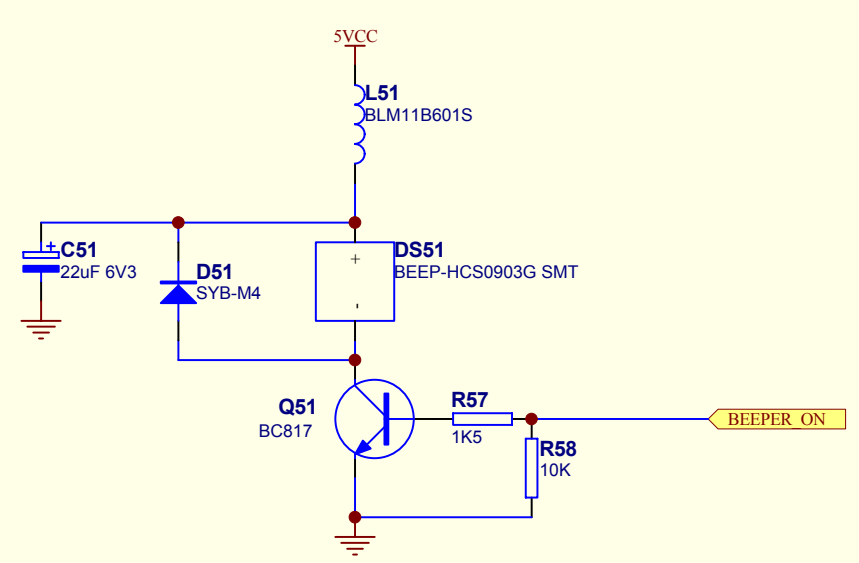
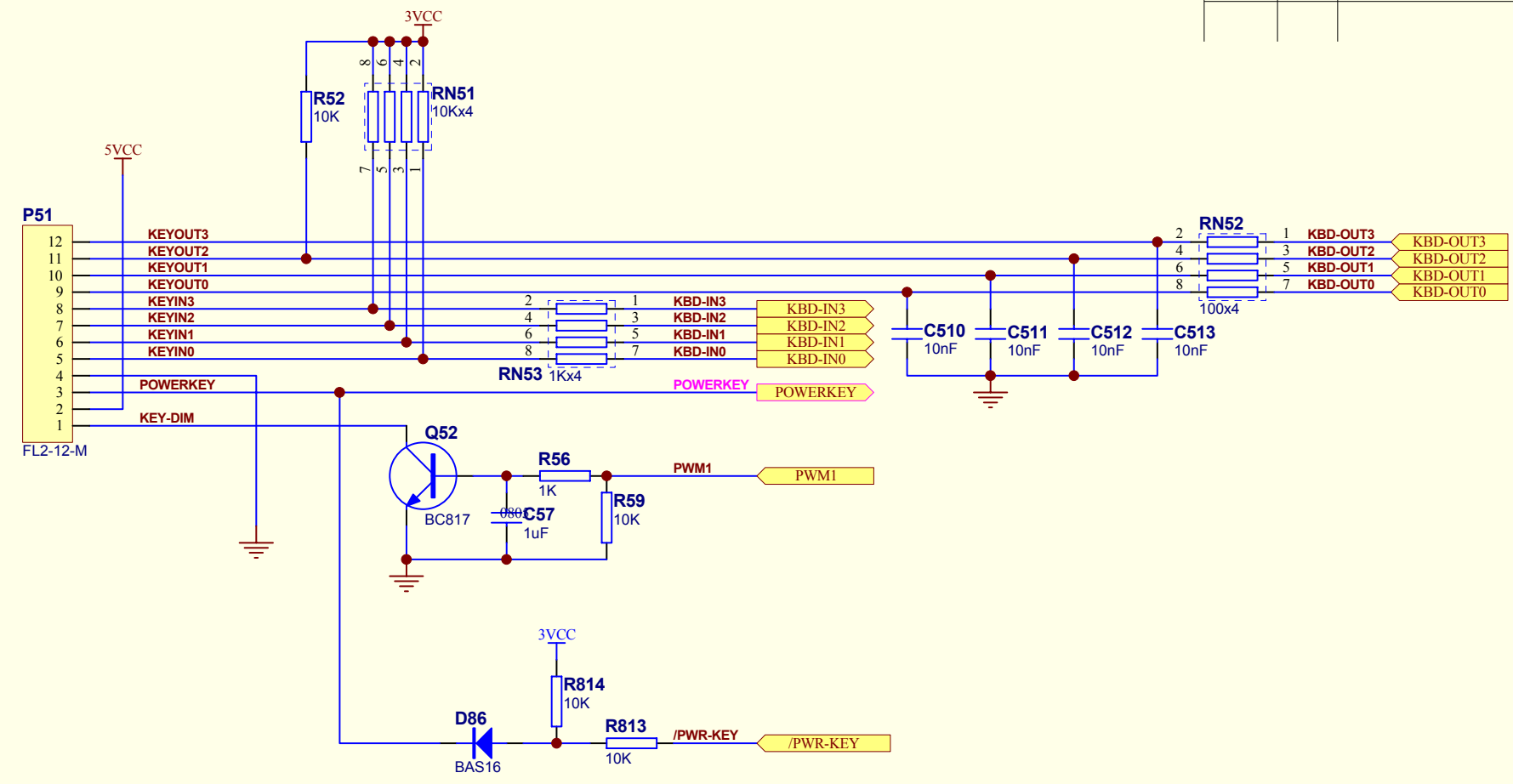
GENERAL NOTES:
 - Component not mounted are marked with "#" on ref.designator (e.g. R10#);
 - All resistor are "0603 5%" type if not otherwise specified;
 - All ceramic capacitors are "0603" type if not otherwise specified.

C-MAP srl COMPANY CONFIDENTIAL
 Not to be disclosed to or used by any person who has not received prior written authorization from C-MAP srl. Any such disclosure or use may subject the violator to civil and criminal penalties as provided by law.

Title: Color VGA controller mainboard (upper(CPU))		Section	
Size: A3	SCH & PCB No: 840C 00	Sch Rev: 01/08/03	Date:
DWG No.: PS0 840C1 10		Approval	
Applies to versions:		Signature: PRJ	
File: PS0840C1.pri		Date: 10/08/03	
Sheet 10 of 10		Drawn: RB Checked by: PRJ	

C-MAP
 C-MAP srl
 v. Caboto,9
 54036 Marina di Carrara
 Massa Carrara (MS)
 ITALY

REVISION HISTORY			
REV. No.	Affected Zone	Description of changes/Related doc.	DATE

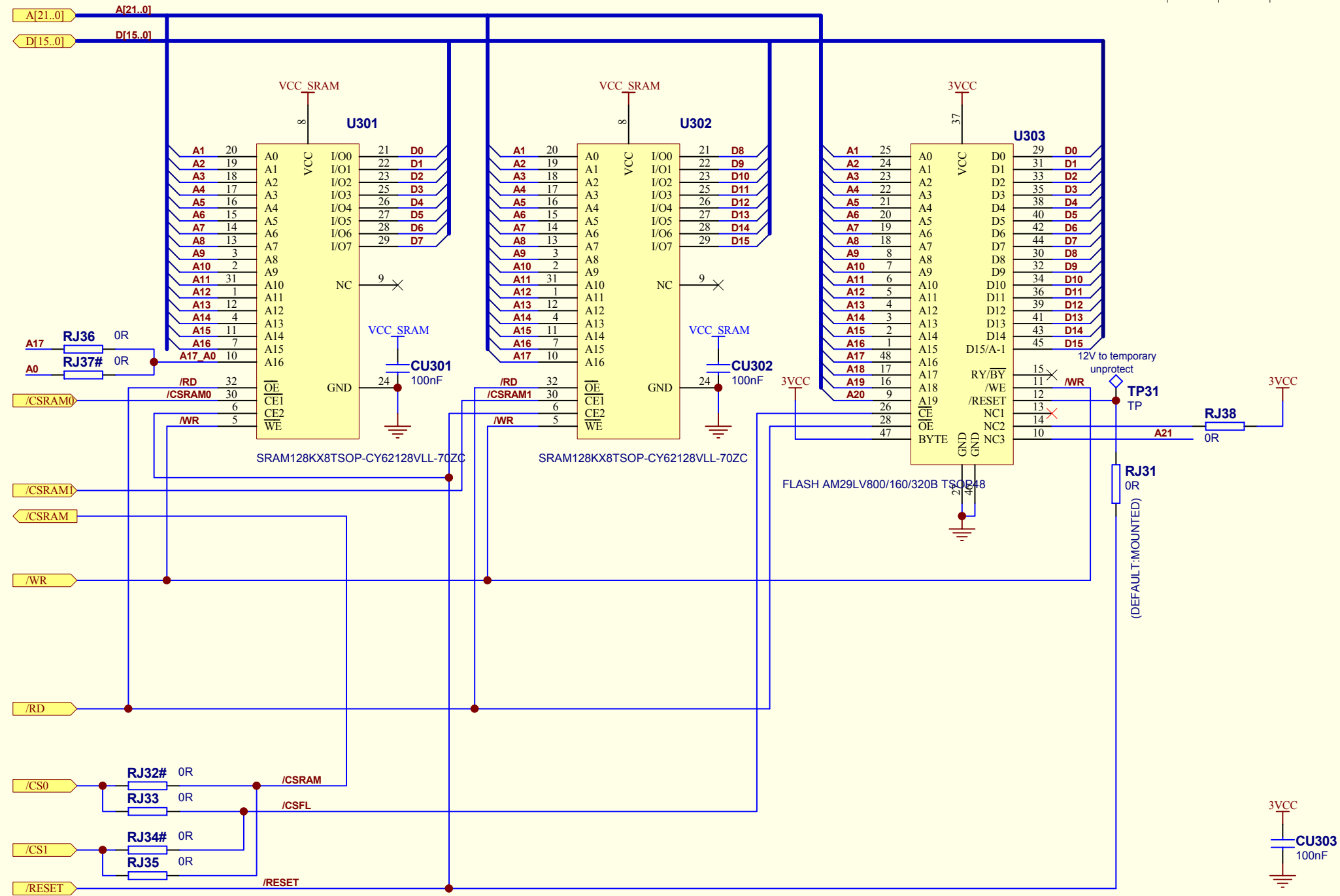


GENERAL NOTES:
 - COMPONENTS NOT MOUNTED ARE MARKED WITH "#"
 - ALL RESISTORS ARE "0805" TYPE IF NOT OTHERWISE SPECIFIED.

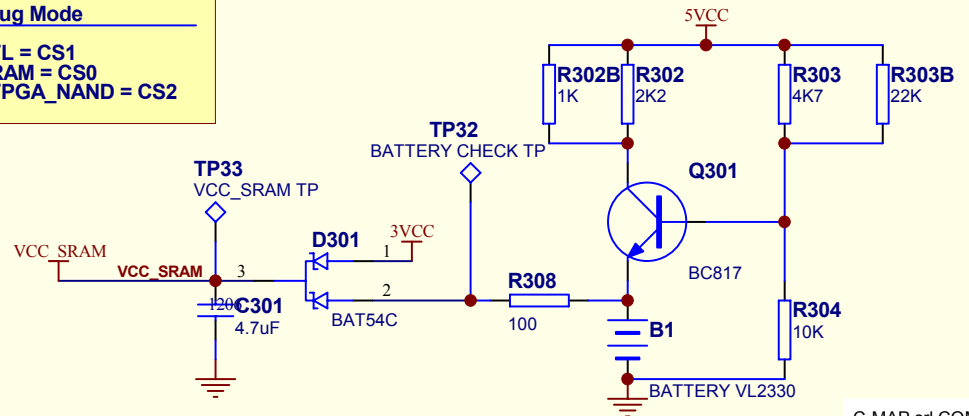
C-MAP srl COMPANY CONFIDENTIAL
 Not to be disclosed to or used by any person who has not received prior written authorization from C-MAP srl. Any such disclosure or use may subject the violator to civil and criminal penalties as provided by law.

Title: Color VGA controller mainboard (upper(CPU))		Section: KBD		
Size: A3	SCH & PCB No: 840C 00	Sch Rev: 01/08/03	Date: 01/08/03	
Applies to versions: PSO 840C 5		Approval: Signature: Date: Drawn: RB Checked by: Sheet 5 of 10		C-MAP srl v. Caboto, 9 54036 Marina di Carrara Massa Carrara (MS) ITALY

REVISION HISTORY			
REV. No.	Affected Zone	Description of changes/Related doc.	DATE



Release Mode	Debug Mode
CSFL = CS0	CSFL = CS1
CSRAM = CS1	CSRAM = CS0
CSFPGA_NAND = CS2	CSFPGA_NAND = CS2

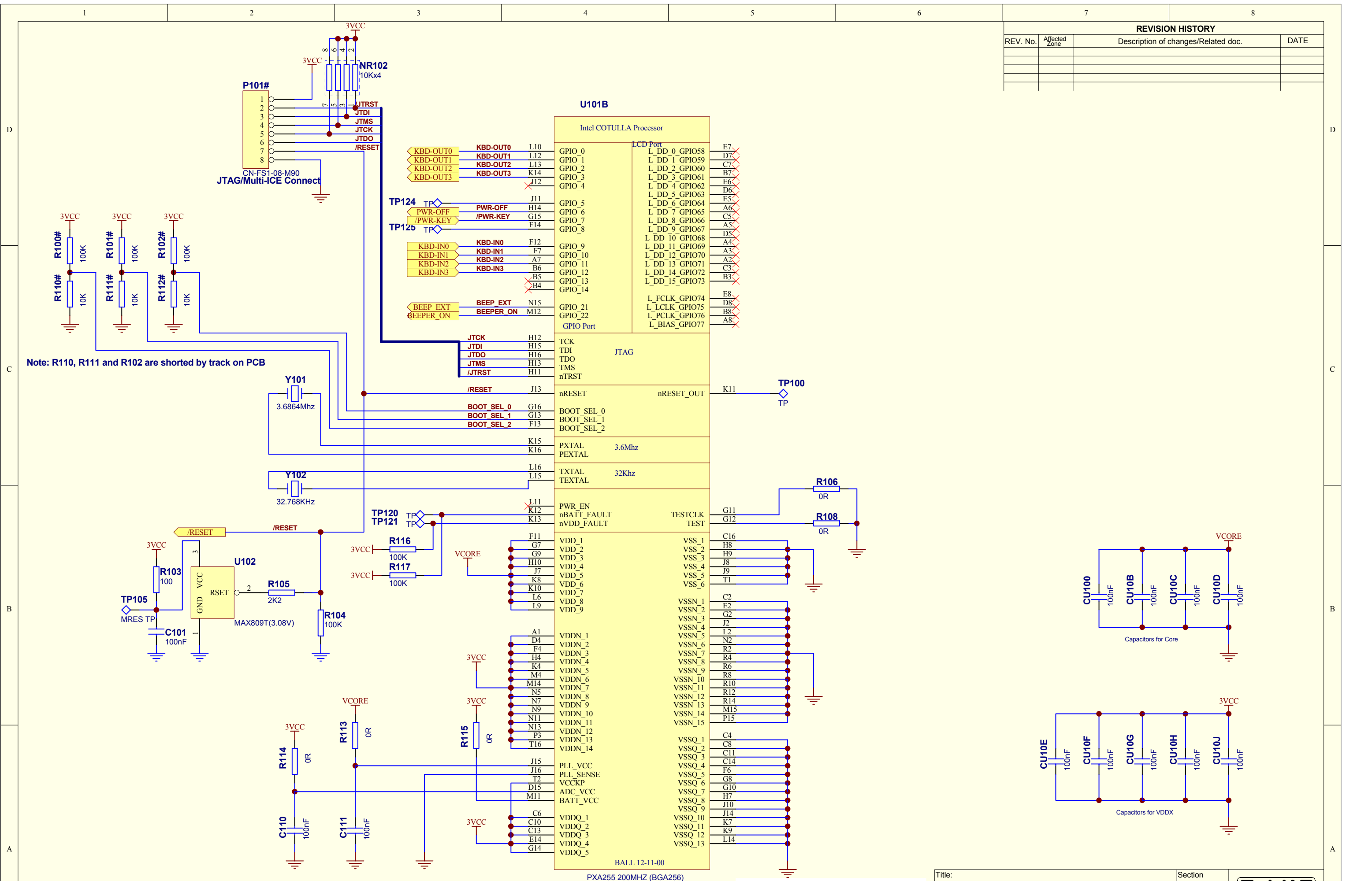


GENERAL NOTES:
 - Component not mounted are market with "#" on ref.designator (e.g. R10#);
 - All resistor are "0603 5%" type if not otherwise specified;
 - All ceramic capacitors are "0603" type if not otherwise specified.

C-MAP srl COMPANY CONFIDENTIAL
 Not to be disclosed to or used by any person who has not received prior written authorization from C-MAP srl. Any such disclosure or use may subject the violator to civil and criminal penalties as provided by law.

Title: Color VGA controller mainboard (upper(CPU))		Section: MEM	
Size: A3	SCH & PCB No: 840C	Sch Rev: 00	Date: 01/08/03
Applies to versions: PS0 840C1 3		Approval: Date: Signature: Drawn: RB Checked by: Sheet 3 of 10	
File: 840C-MEM.sch		C-MAP srl v. Caboto,9 54036 Marina di Carrara Massa Carrara (MS) ITALY	

REVISION HISTORY			
REV. No.	Affected Zone	Description of changes/Related doc.	DATE



GENERAL NOTES:

- Component not mounted are market with "#" on ref.designator (e.g. R10#);
- All resistor are "0603 5%" type if not otherwise specified;
- All ceramic capacitors are "0603" type if not otherwise specified.

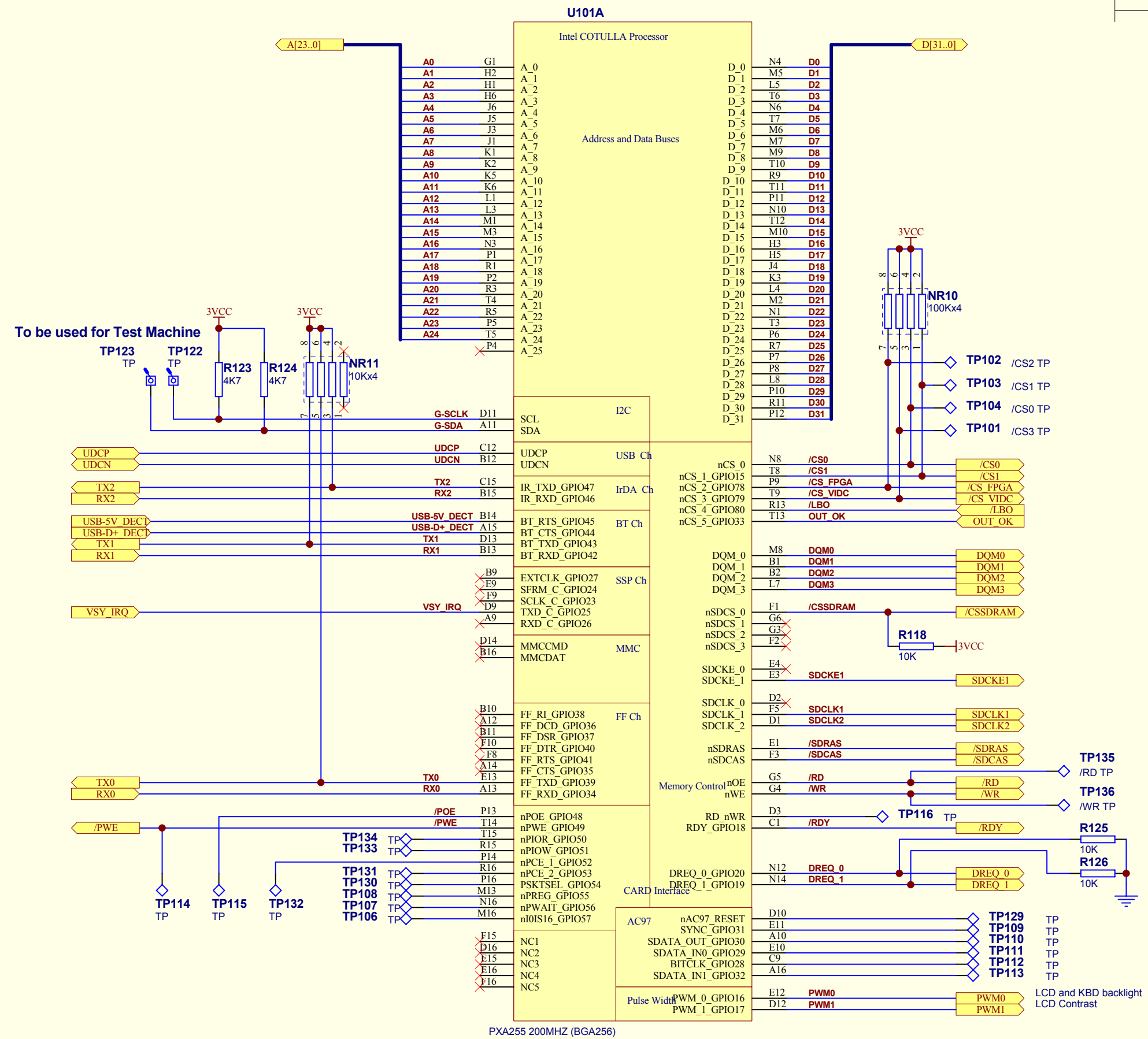
C-MAP srl COMPANY CONFIDENTIAL
 Not to be disclosed to or used by any person who has not received prior written authorization from C-MAP srl. Any such disclosure or use may subject the violator to civil and criminal penalties as provided by law.

Title: Color VGA controller mainboard (upper(CPU))		Section	
Size: A3	SCH & PCB No: 840C 00	Sch Rev: 01/08/03	Date: 01/08/03
DWG No.: PSO 840C 4		Approval	
Applies to versions:		Signature:	
File: 840C-CPU2.SCH		Date:	
Sheet 4 of 10		Checked by:	



C-MAP srl
 v. Caboto, 9
 54036 Marina di Carrara
 Massa Carrara (MS)
 ITALY

REVISION HISTORY			
REV. No.	Affected Zone	Description of changes/Related doc.	DATE



GENERAL NOTES:

- Component not mounted are marked with "#" on ref.designator (e.g. R10#);
- All resistor are "0603 5%" type if not otherwise specified;
- All ceramic capacitors are "0603" type if not otherwise specified.

C-MAP srl COMPANY CONFIDENTIAL
 Not to be disclosed to or used by any person who has not received prior written authorization from C-MAP srl. Any such disclosure or use may subject the violator to civil and criminal penalties as provided by law.

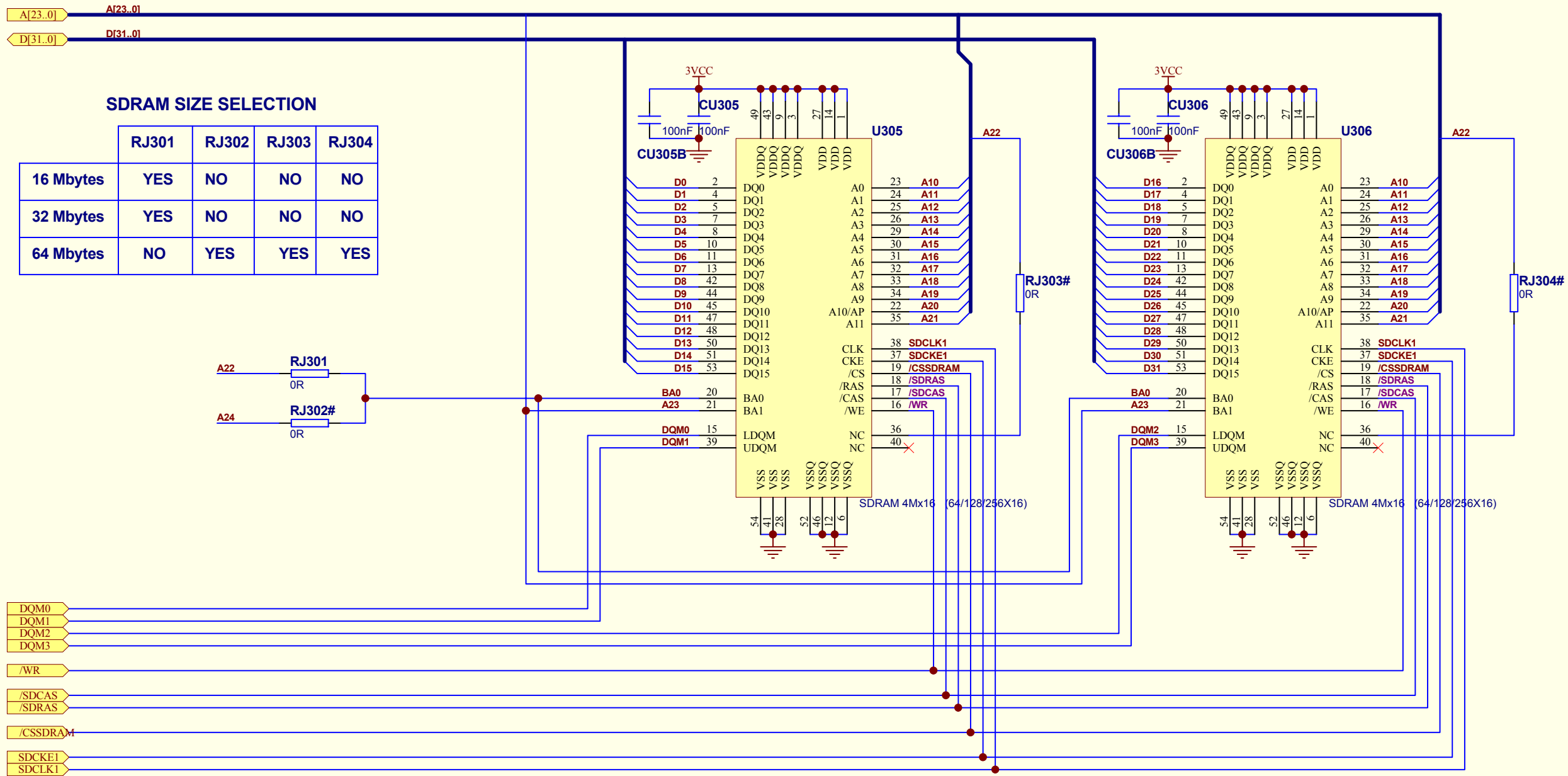
Title: Color VGA controller mainboard (upper(CPU))		Section	
Size: A3	SCH & PCB No: 840C 00	Sch Rev: 01/08/03	Date: 01/08/03
DWG No.: PS0 840C 1		Approval	
Applies to versions:		Signature: _____	
File: 840C-CPU1.sch		Date: _____	
Sheet 1 of 10		Checked by: _____	

C-MAP
 C-MAP srl
 v. Caboto, 9
 54036 Marina di Carrara
 Massa Carrara (MS)
 ITALY

REVISION HISTORY			
REV. No.	Affected Zone	Description of changes/Related doc.	DATE

SDRAM SIZE SELECTION

	RJ301	RJ302	RJ303	RJ304
16 Mbytes	YES	NO	NO	NO
32 Mbytes	YES	NO	NO	NO
64 Mbytes	NO	YES	YES	YES

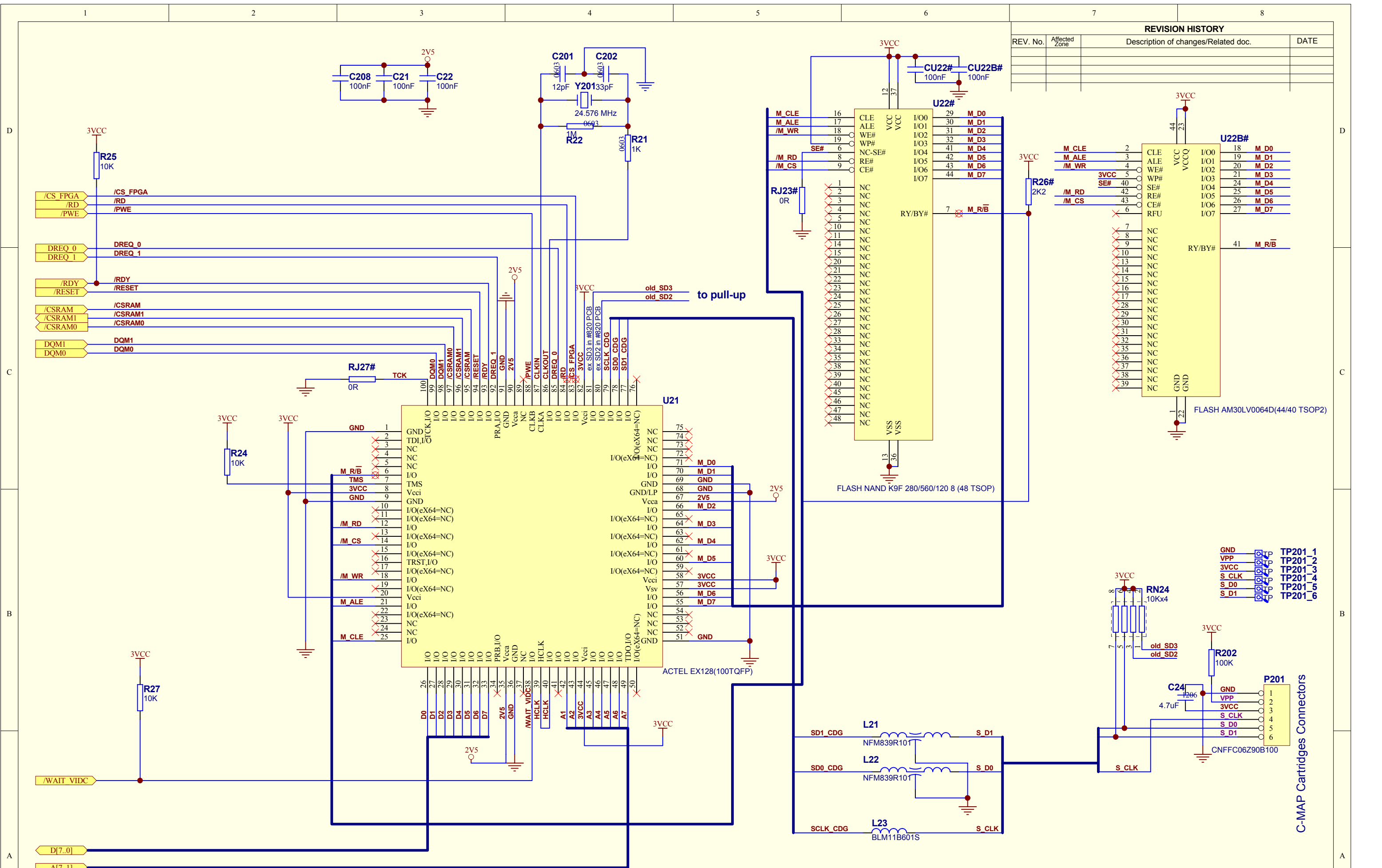


GENERAL NOTES:
 - Component not mounted are market with "#" on ref.designator (e.g. R10#);
 - All resistor are "0603 5%" type if not otherwise specified;
 - All ceramic capacitors are "0603" type if not otherwise specified.

C-MAP srl COMPANY CONFIDENTIAL
 Not to be disclosed to or used by any person who has not received prior written authorization from C-MAP srl. Any such disclosure or use may subject the violator to civil and criminal penalties as provided by law.

Title: Color VGA controller mainboard (upper(CPU))		Section: MEM
Size: A3	SCH & PCB No.: 840C 00	Sch Rev: 01/08/03
DWG No.: PS0 840C 6		Approval: Date: Signature: Drawn: RB Checked by: Sheet 6 of 10
Applies to versions: File: 840C-SDRAM.sch		C-MAP C-MAP srl v. Caboto,9 54036 Marina di Carrara Massa Carrara (MS) ITALY

REVISION HISTORY			
REV. No.	Affected Zone	Description of changes/Related doc.	DATE



GENERAL NOTES:
 - Component not mounted are marked with "#" on ref. designator (e.g. R10#);
 - All resistors are "0603 5%" type if not otherwise specified;
 - All ceramic capacitors are "0603" type if not otherwise specified.

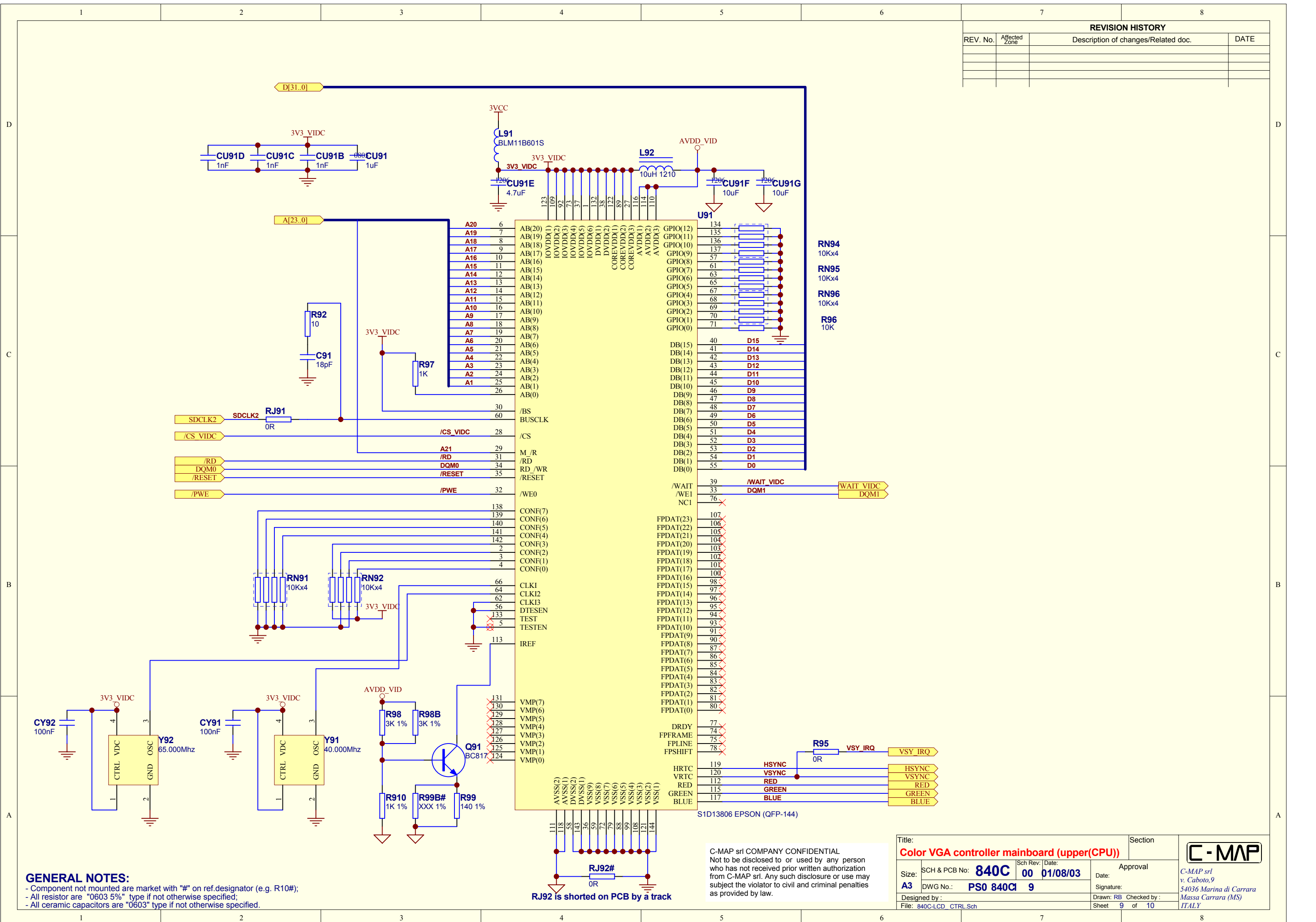
C-MAP srl COMPANY CONFIDENTIAL
 Not to be disclosed to or used by any person who has not received prior written authorization from C-MAP srl. Any such disclosure or use may subject the violator to civil and criminal penalties as provided by law.

Title: Color VGA controller mainboard (upper(CPU))		Section	
Size: A3	SCH & PCB No: 840C 00	Sch Rev: 01/08/03	Date:
DWG No.: PS0 840C 2		Approval	
Applies to versions:		Signature:	Date:
File: 840C-FPGA_NAND.SCH		Drawn: RB	Checked by:
		Sheet 2 of 10	



C-MAP srl
 v. Caboto, 9
 54036 Marina di Carrara
 Massa Carrara (MS)
 ITALY

REVISION HISTORY			
REV. No.	Affected Zone	Description of changes/Related doc.	DATE



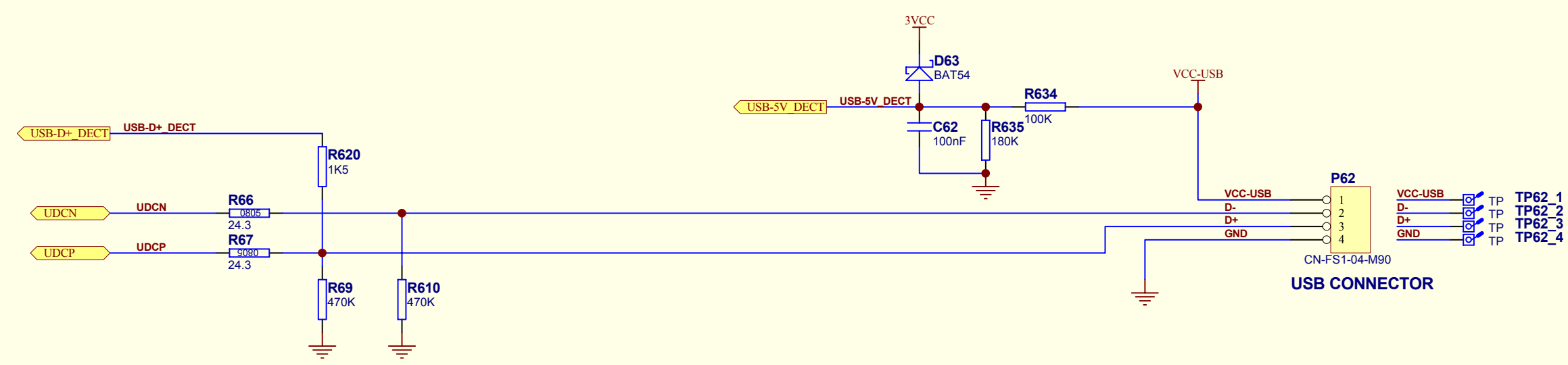
GENERAL NOTES:
 - Component not mounted are market with "#" on ref.designator (e.g. R10#);
 - All resistor are "0603 5%" type if not otherwise specified;
 - All ceramic capacitors are "0603" type if not otherwise specified.

C-MAP srl COMPANY CONFIDENTIAL
 Not to be disclosed to or used by any person who has not received prior written authorization from C-MAP srl. Any such disclosure or use may subject the violator to civil and criminal penalties as provided by law.

Title: Color VGA controller mainboard (upper(CPU))		Section	
Size: A3	SCH & PCB No: 840C	Sch Rev: 00	Date: 01/08/03
DWG No.: PS0 840C 9		Approval	
Designed by:		Date:	
File: 840C-LCD_CTRL.Sch		Signature:	
Sheet 9 of 10		Checked by:	

C-MAP
 C-MAP srl
 v. Caboto, 9
 54036 Marina di Carrara
 Massa Carrara (MS)
 ITALY

REVISION HISTORY			
REV. No.	Affected Zone	Description of changes/Related doc.	DATE



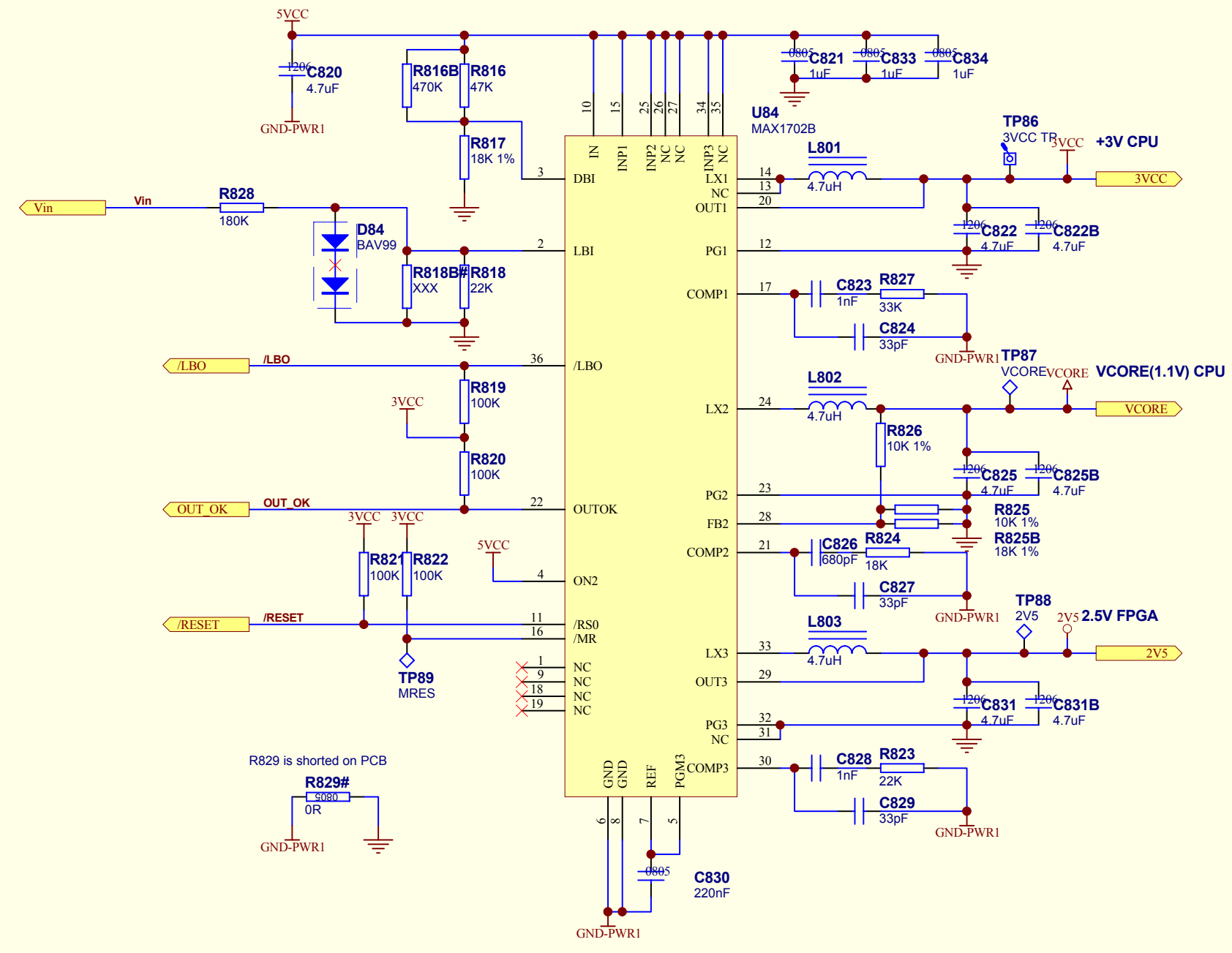
GENERAL NOTES:
 - Component not mounted are marked with "#" on ref.designator (e.g. R10#);
 - All resistor are "0603 5%" type if not otherwise specified;
 - All ceramic capacitors are "0603" type if not otherwise specified.

C-MAP srl COMPANY CONFIDENTIAL
 Not to be disclosed to or used by any person who has not received prior written authorization from C-MAP srl. Any such disclosure or use may subject the violator to civil and criminal penalties as provided by law.

Title: Color VGA controller mainboard (upper(CPU))		Section	
Size: A3	SCH & PCB No.: 840C	Sch Rev: 00	Date: 01/08/03
Designed by:	DWG No.: PS0 840CI 7	Signature:	Approval
File: 840C-USB.Sch	Sheet 7 of 10	Drawn: RB	Checked by:

C-MAP
 C-MAP srl
 v. Caboto,9
 54036 Marina di Carrara
 Massa Carrara (MS)
 ITALY

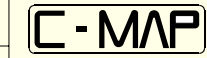
REVISION HISTORY			
REV. No.	Affected Zone	Description of changes/Related doc.	DATE



GENERAL NOTES:
 - Component not mounted are market with "#" on ref.designator (e.g. R10#);
 - All resistor are "0603 5%" type if not otherwise specified;
 - All ceramic capacitors are "0603" type if not otherwise specified.

C-MAP srl COMPANY CONFIDENTIAL
 Not to be disclosed to or used by any person who has not received prior written authorization from C-MAP srl. Any such disclosure or use may subject the violator to civil and criminal penalties as provided by law.

Title:		Section		C-MAP
Color VGA controller mainboard (upper(CPU))		PWR		
Size:	SCH & PCB No: 840C	Sch Rev: 00	Date: 01/08/03	Approval Date: Signature:
A3	DWG No.: PS0 840CI	8		
Applies to versions:		Drawn: RB		Checked by: Sheet 8 of 10
File: 840C-MAX1702.sch		8		



C-MAP srl
 v. Caboto,9
 54036 Marina di Carrara
 Massa Carrara (MS)
 ITALY