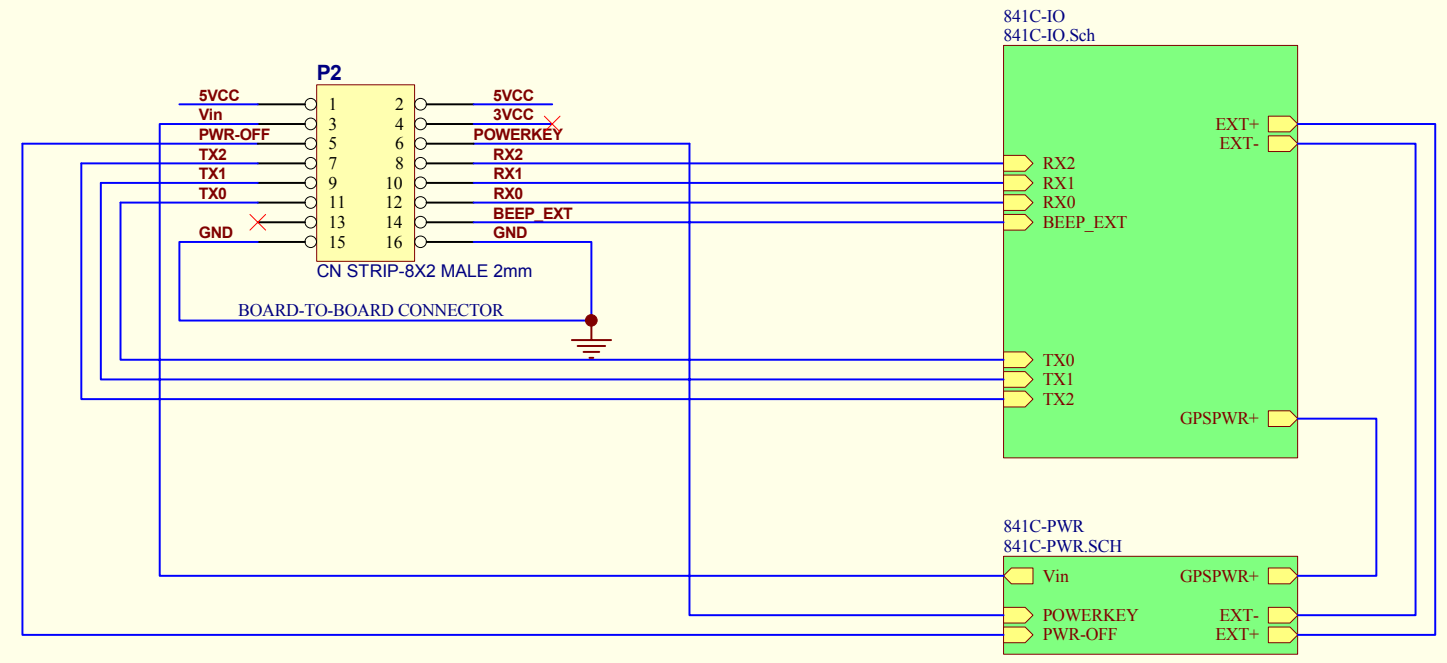


REVISION HISTORY			
REV. No.	Affected Zone	Description of changes/Related doc.	DATE



BOARD-TO-BOARD CONNECTOR



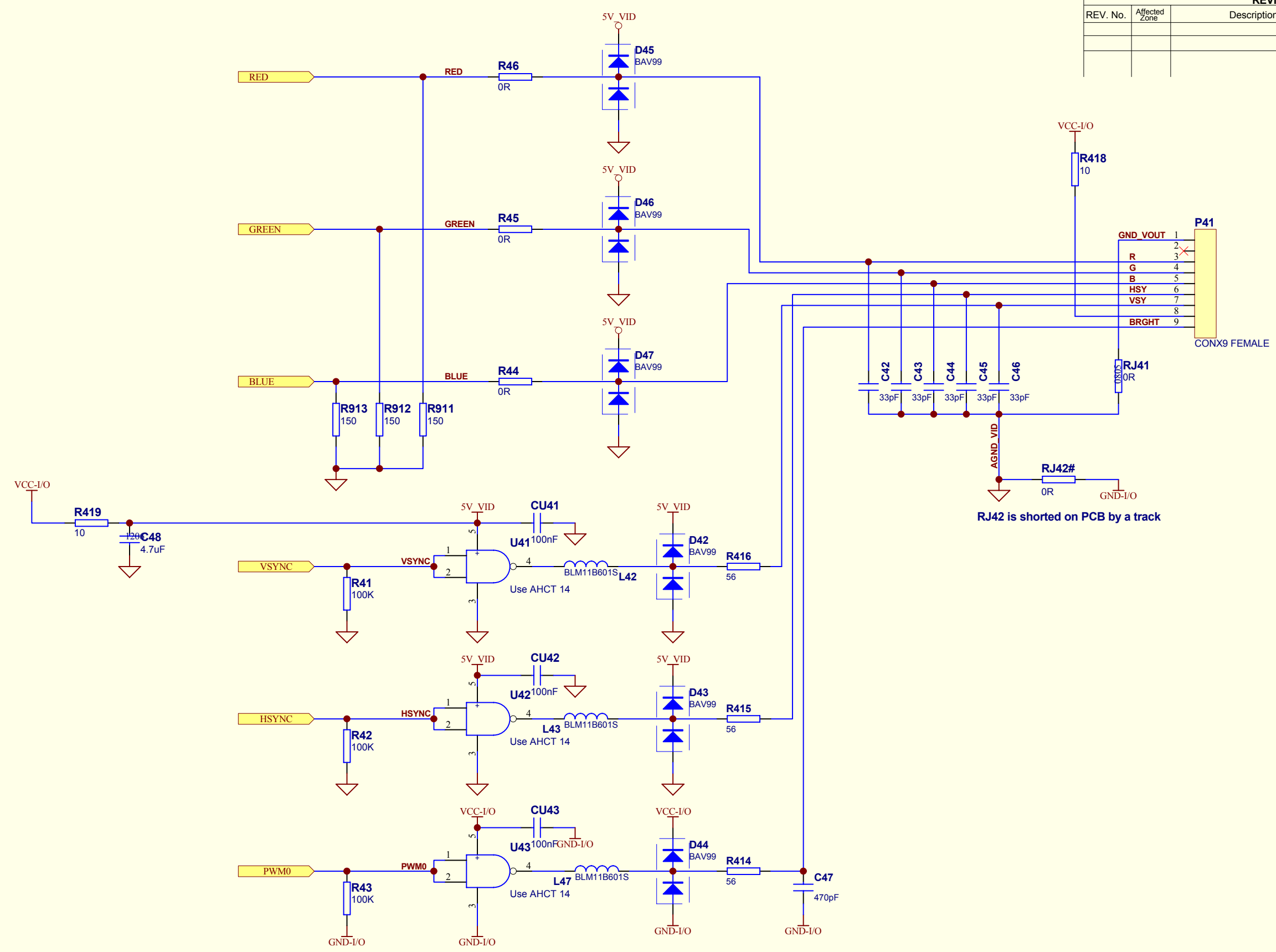
GENERAL NOTES:
 - COMPONENTS NOT MOUNTED ARE MARKED WITH "#"
 - ALL RESISTORS ARE "0805" TYPE IF NOT OTHERWISE SPECIFIED.

C-MAP srl COMPANY CONFIDENTIAL
 Not to be disclosed to or used by any person who has not received prior written authorization from C-MAP srl. Any such disclosure or use may subject the violator to civil and criminal penalties as provided by law.

Title: VGA CTRL mainboard (lower)		Section	
Size: A3	SCH & PCB No: 841C 00	Sch Rev: 05/08/03	Date:
DWG No.: PS0 841C 1	Signature:		Approval
Applies to versions:	Drawn: RB		Checked by:
File: PS0841C1.pri	Sheet 1 of 4		

C-MAP
 C-MAP srl
 v. Caboto,9
 54036 Marina di Carrara
 Massa Carrara (MS)
 ITALY

REVISION HISTORY			
REV. No.	Affected Zone	Description of changes/Related doc.	DATE

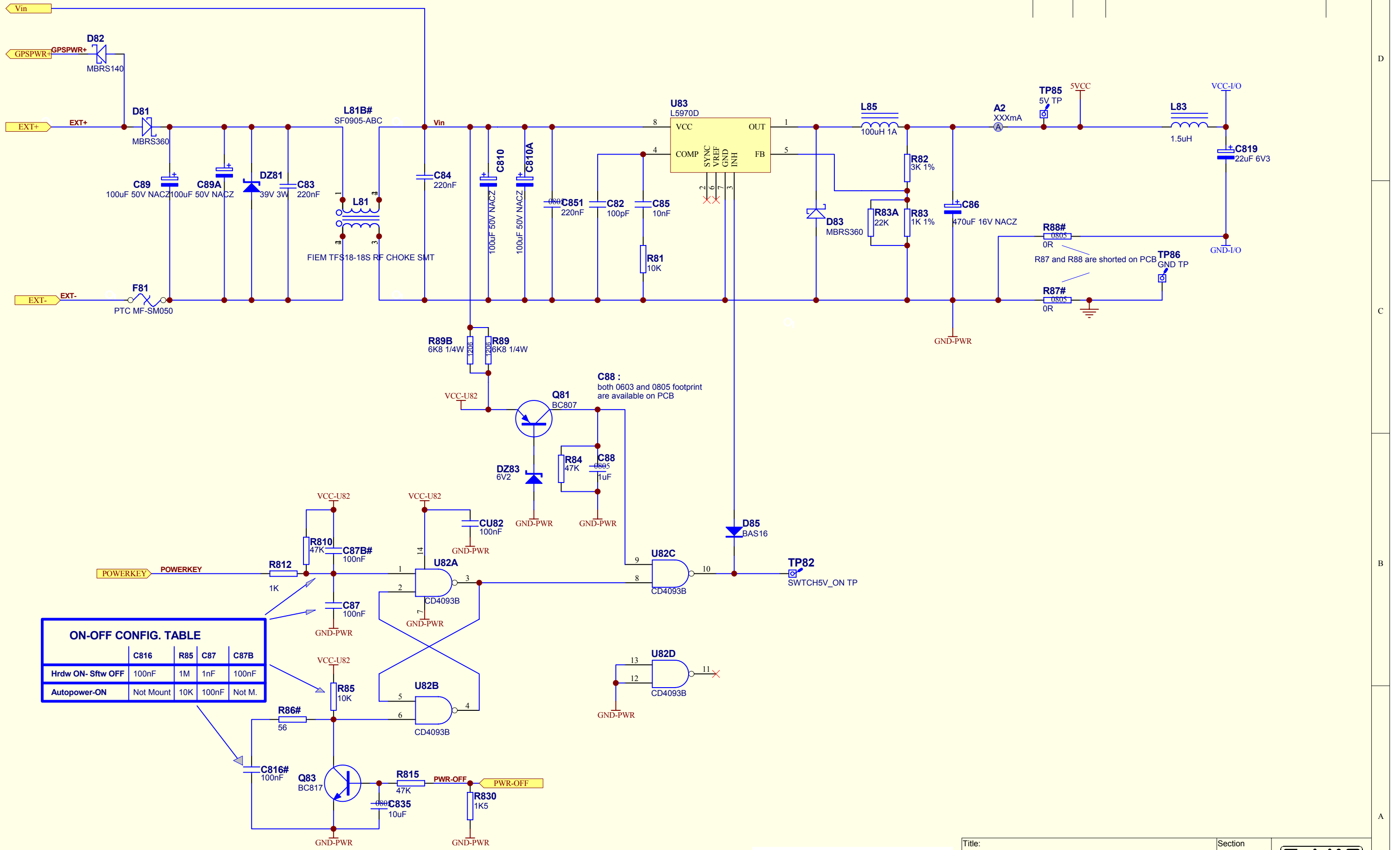


GENERAL NOTES:
 - COMPONENTS NOT MOUNTED ARE MARKED WITH "#"
 - ALL RESISTORS ARE "0805" TYPE IF NOT OTHERWISE SPECIFIED.

C-MAP srl COMPANY CONFIDENTIAL
 Not to be disclosed to or used by any person who has not received prior written authorization from C-MAP srl. Any such disclosure or use may subject the violator to civil and criminal penalties as provided by law.

Title: VGA CTRL mainboard (lower)		Section: VIDOUT		
Size: A3	SCH & PCB No: 841C	Sch Rev: 00	Date: 05/08/03	
DWG No.: PSO 841C 4		Approval		C-MAP srl v. Caboto,9 54036 Marina di Carrara Massa Carrara (MS) ITALY
Applies to versions:		Signature:		
File: 841C-vou.sch		Drawn: RB Checked by:		
Sheet 4 of 4		Date:		

REVISION HISTORY			
REV. No.	Affected Zone	Description of changes/Related doc.	DATE



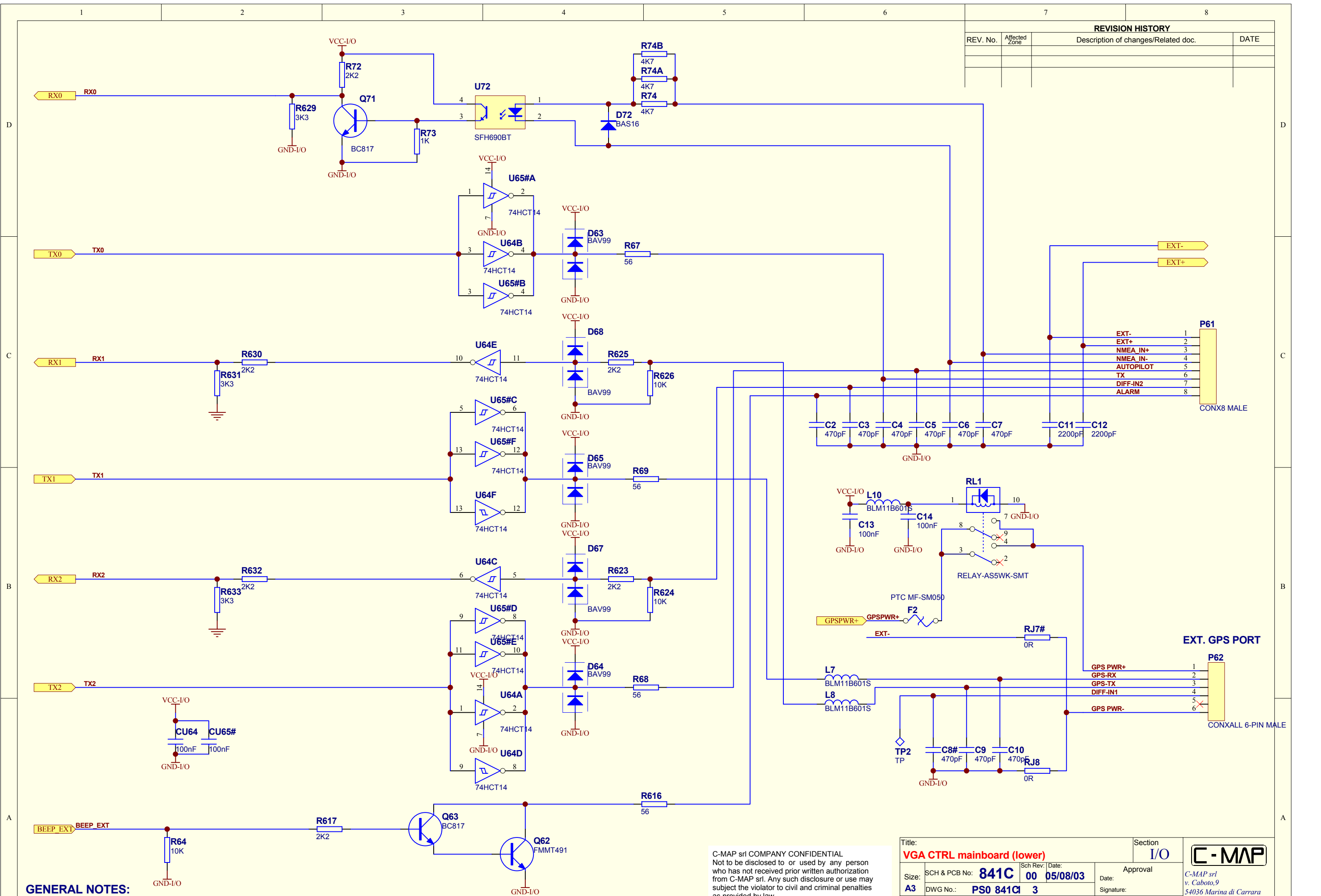
ON-OFF CONFIG. TABLE				
	C816	R85	C87	C87B
Hrdw ON- Sftw OFF	100nF	1M	1nF	100nF
Autopower-ON	Not Mount	10K	100nF	Not M.

GENERAL NOTES:
 - COMPONENTS NOT MOUNTED ARE MARKED WITH "#"
 - ALL RESISTORS ARE "0805" TYPE IF NOT OTHERWISE SPECIFIED.

C-MAP srl COMPANY CONFIDENTIAL
 Not to be disclosed to or used by any person who has not received prior written authorization from C-MAP srl. Any such disclosure or use may subject the violator to civil and criminal penalties as provided by law.

Title: VGA CTRL mainboard (lower)		Section: PWR		
Size: A3	SCH & PCB No: 841C 00	Sch Rev: 05/08/03	Date: 05/08/03	
DWG No.: PS0 841C 2		Approval: Signature: _____		C-MAP srl v. Caboto, 9 54036 Marina di Carrara Massa Carrara (MS) ITALY
Applies to versions: _____		Drawn: RB Checked by: _____		
File: 841C-PWR.SCH		Sheet 2 of 4		

REVISION HISTORY			
REV. No.	Affected Zone	Description of changes/Related doc.	DATE



GENERAL NOTES:
 - COMPONENTS NOT MOUNTED ARE MARKED WITH "#"
 - ALL RESISTORS ARE "0805" TYPE IF NOT OTHERWISE SPECIFIED.

C-MAP srl COMPANY CONFIDENTIAL
 Not to be disclosed to or used by any person who has not received prior written authorization from C-MAP srl. Any such disclosure or use may subject the violator to civil and criminal penalties as provided by law.

Title: VGA CTRL mainboard (lower)		Section: I/O	
Size: A3	SCH & PCB No: 841C	Sch Rev: 00	Date: 05/08/03
DWG No.: PSO 841C		3	
Applies to versions:		Approval	
File: 841C-I0.Sch		Date: _____	
Signature: _____		Signature: _____	
Drawn: RB		Checked by: _____	
Sheet 3 of 4		Sheet 3 of 4	

C-MAP
 C-MAP srl
 v. Caboto, 9
 54036 Marina di Carrara
 Massa Carrara (MS)
 ITALY