

VERS.00 (<7 MONO board-to-board connection):
 - P1 not mounted

VERS.01 (<7 color NEC):
 - P51,P52 = not mounted
 - P1 = 12 pin connector
 (from pin 3 to pin 15 of P1 footprint)

VERS.02 (<7 mono C2 / color Kyocera):
 - P51,P52 = not mounted
 - P1 = 15 pin connector
 - on P2 = solder the NTC cable.

NOT MOUNTED COMPONENTS ON ALL VERSIONS

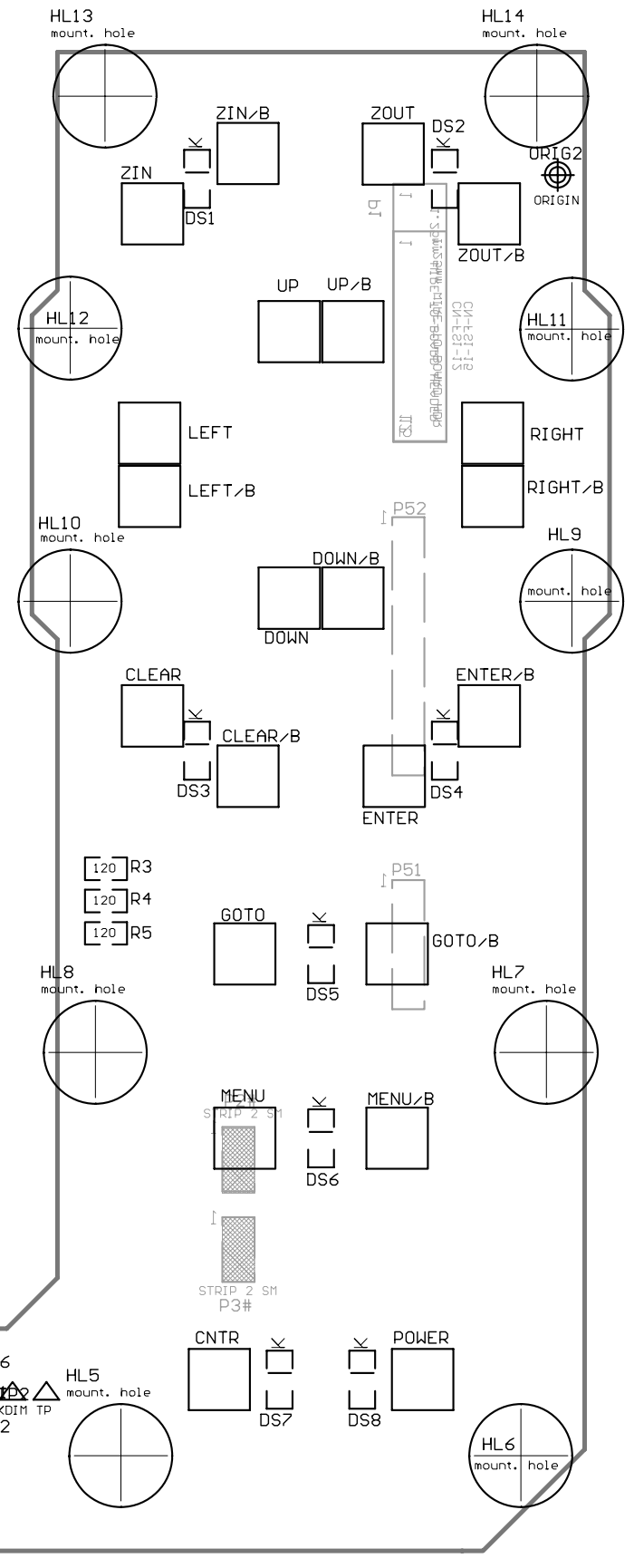
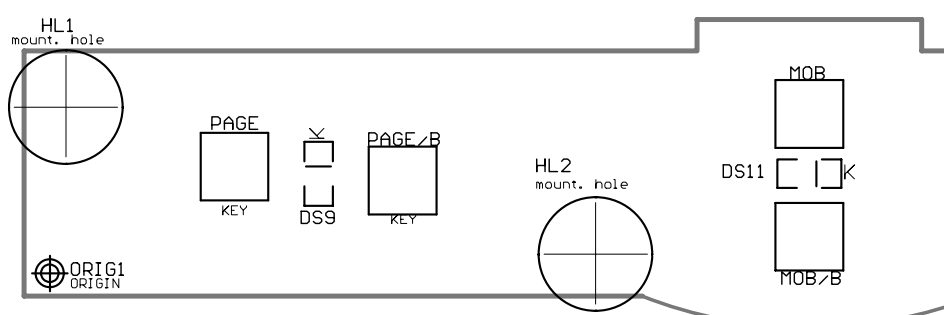
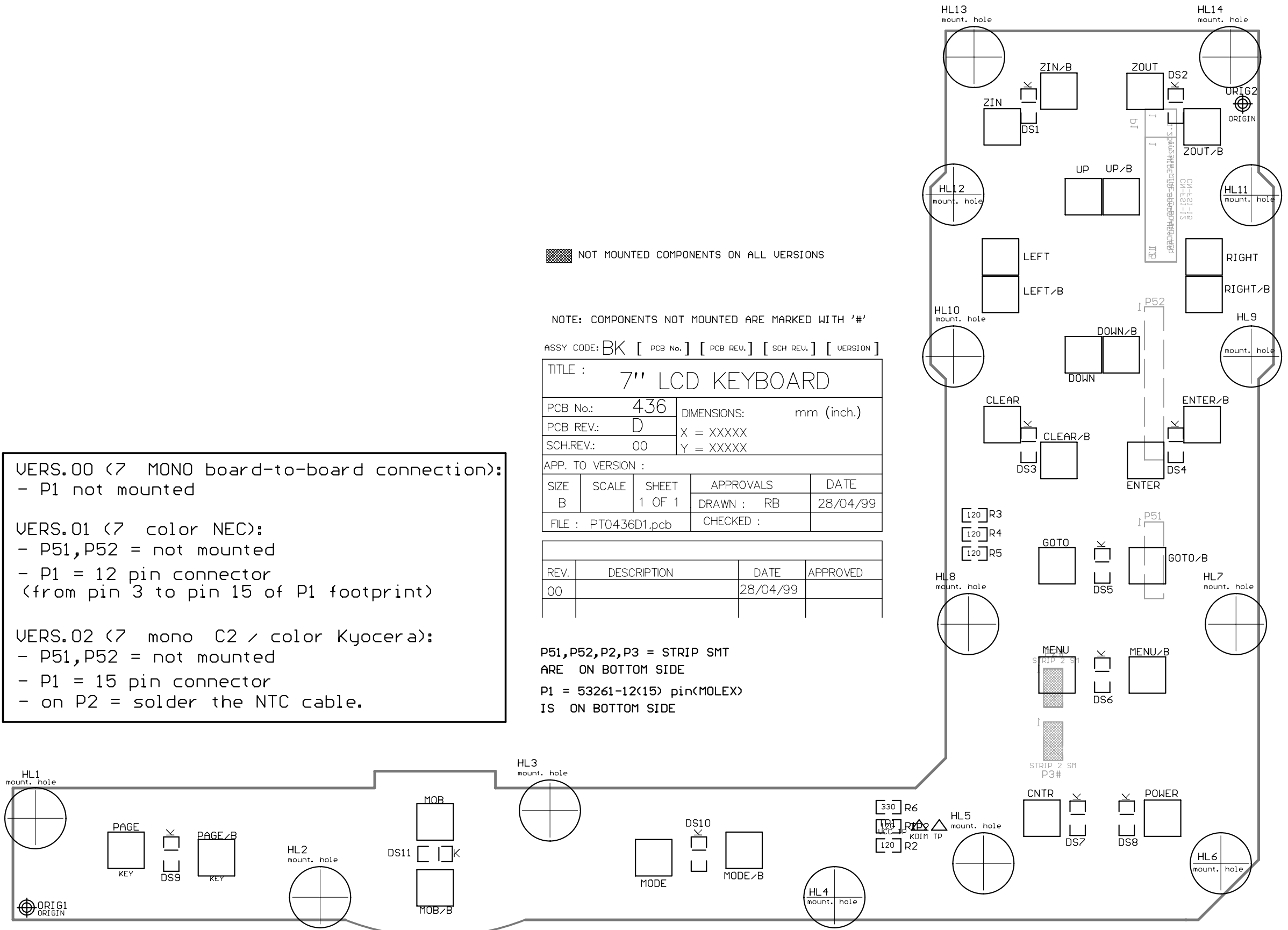
NOTE: COMPONENTS NOT MOUNTED ARE MARKED WITH '#'

ASSY CODE: BK [PCB No.] [PCB REV.] [SCH REV.] [VERSION]

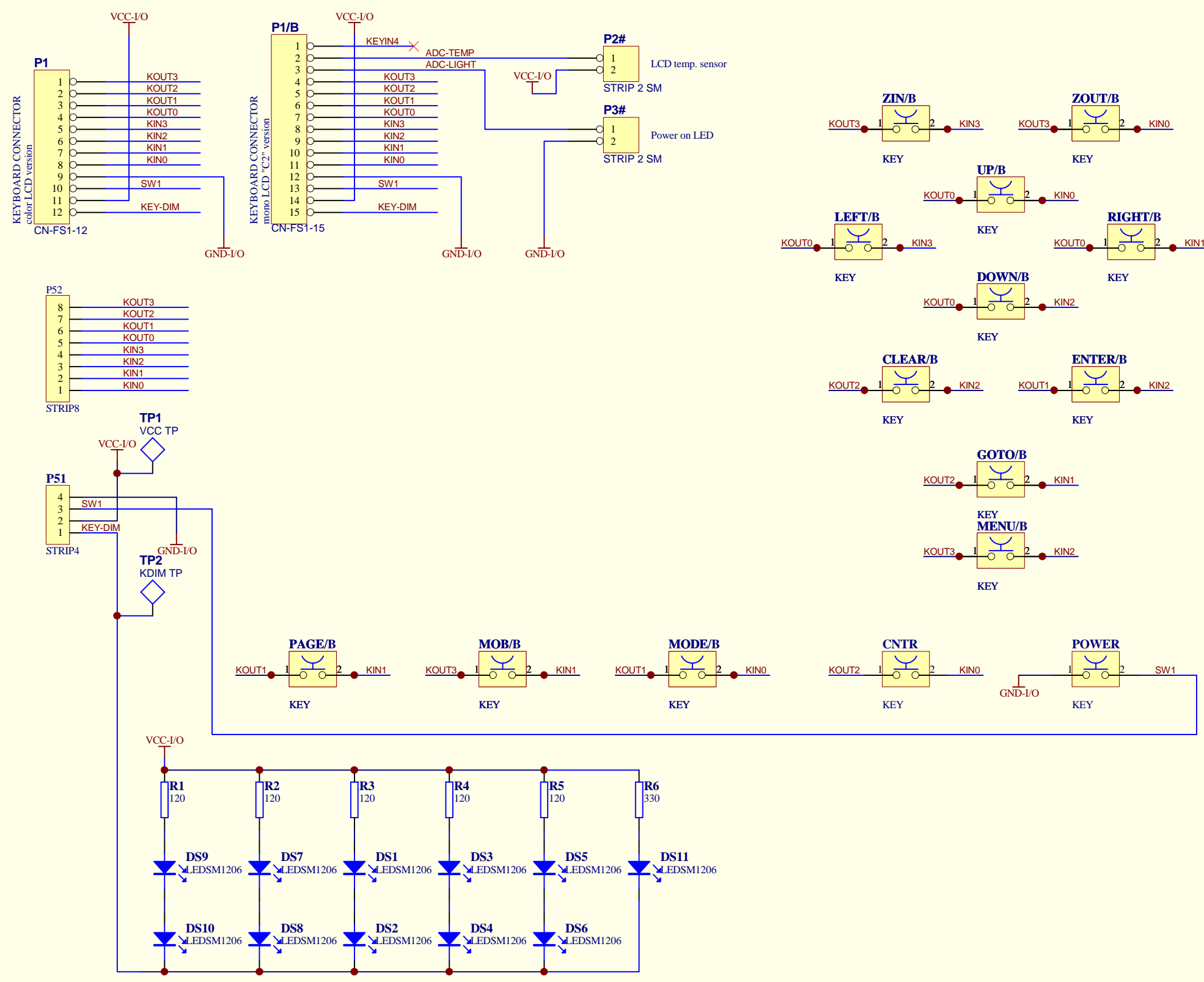
TITLE : 7" LCD KEYBOARD				
PCB No.:	436	DIMENSIONS:	mm (inch.)	
PCB REV.:	D	X =	XXXXX	
SCH.REV.:	00	Y =	XXXXX	
APP. TO VERSION :				
SIZE	SCALE	SHEET	APPROVALS	DATE
B		1 OF 1	DRAWN : RB	28/04/99
FILE : PT0436D1.pcb			CHECKED :	

REV.	DESCRIPTION	DATE	APPROVED
00		28/04/99	

P51,P52,P2,P3 = STRIP SMT
 ARE ON BOTTOM SIDE
 P1 = 53261-12(15) pin(MOLEX)
 IS ON BOTTOM SIDE



REVISION				
ZONE	REV.	DESCRIPTION	DATE	APPROVED



GENERAL NOTES:
 COMPONENTS NOT MOUNTED ARE MARKED WITH "#"
 ALL RESISTORS ARE "0805" TYPE IF NOT OTHERWISE SPECIFIED.

C-MAP srl COMPANY CONFIDENTIAL
 Not to be disclosed to or used by any person who has not received prior written authorization from C-MAP srl. Any such disclosure or use may subject the violator to civil and criminal penalties as provided by law.

Title LCD7 NT - KEYBOARD		Section	
Size: A3	SCH & PCB No: 436D	Sch Rev: 00	Applies to versions:
DWG No. PS0436D11	Drawn: RB	Checked:	
File: D:\BACK-UP\PROTEL\401-500\436\BK436D00.dwg Date: 20/01/2013 11:03:13 Sheet 1 of 1			

