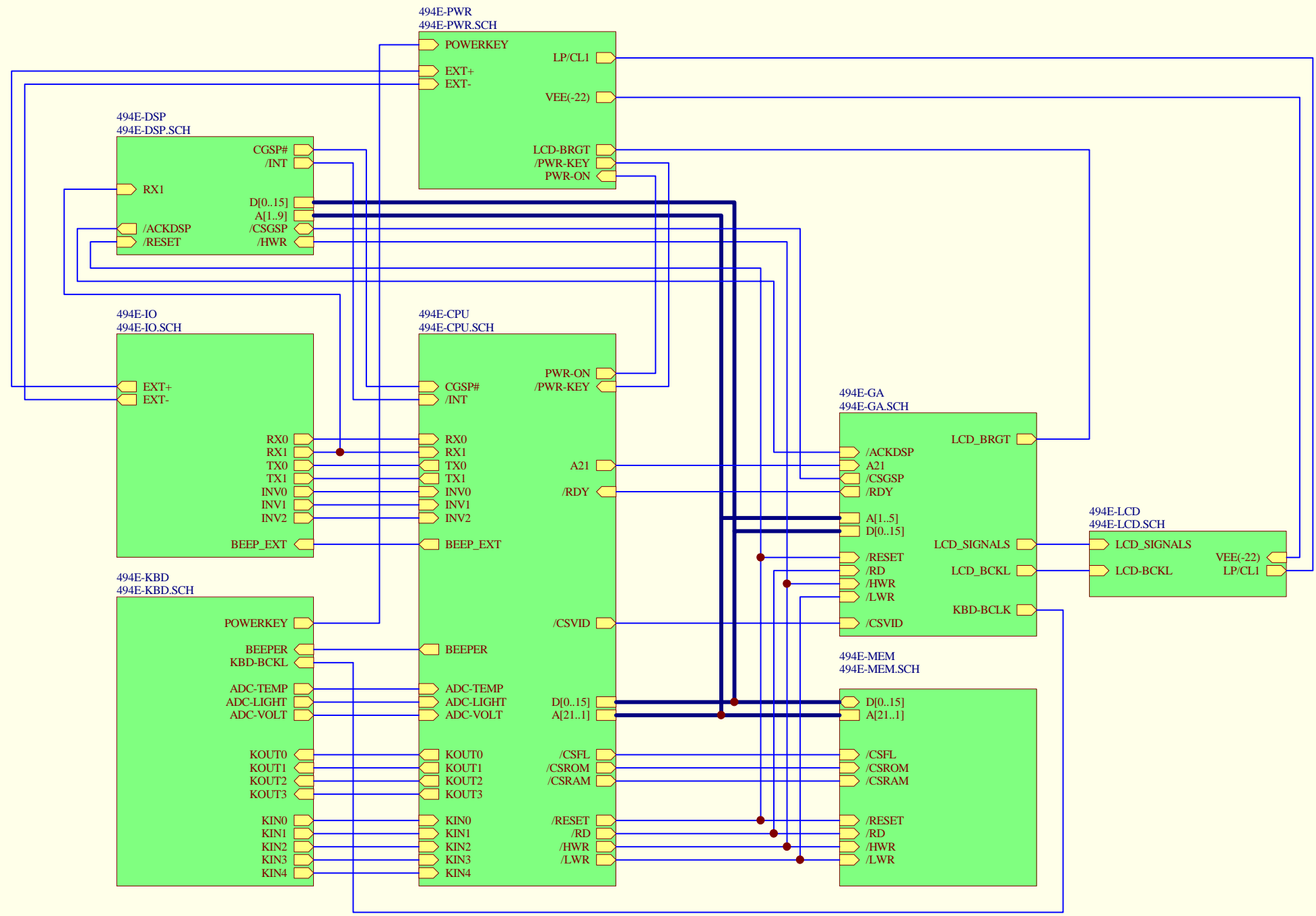




REVISION HISTORY			
REV. No.	Affected Zone	Description of changes/Related doc.	DATE



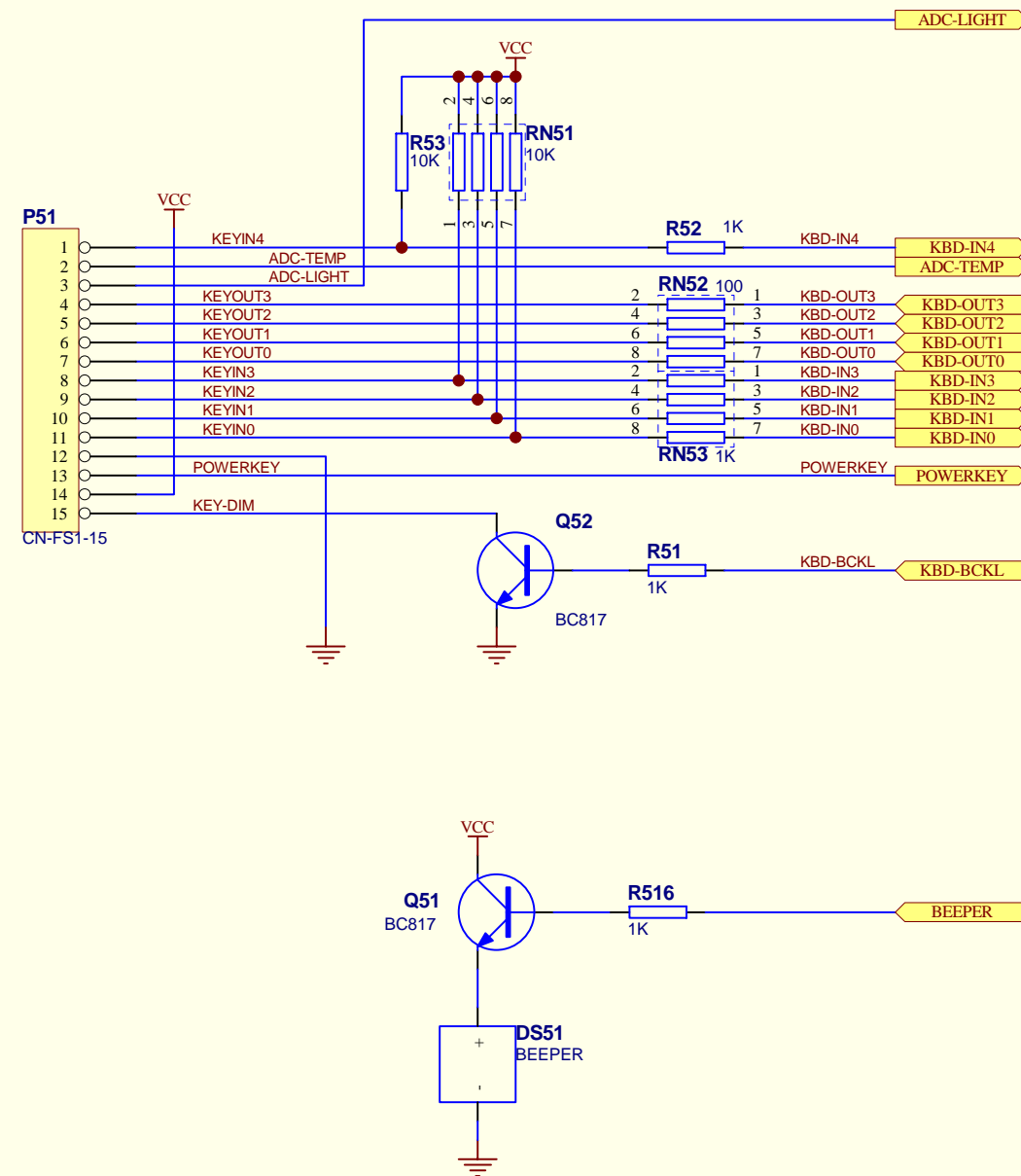
**GENERAL NOTES:**  
 - COMPONENTS NOT MOUNTED ARE MARKED WITH "#"  
 - ALL RESISTORS ARE "0805" TYPE IF NOT OTHERWISE SPECIFIED.

C-MAP srl COMPANY CONFIDENTIAL  
 Not to be disclosed to or used by any person who has not received prior written authorization from C-MAP srl. Any such disclosure or use may subject the violator to civil and criminal penalties as provided by law.

Title: <b>C2 mainboard</b>		Section	
Size: SCH & PCB No: <b>494E</b>	Sch Rev: <b>01</b>	Date: <b>20/02/01</b>	Approval
A3	DWG No.: <b>PS0 494E 9</b>	Signature:	
Applies to versions:		Drawn: LB	Checked by:
File: Ps0494E1.prj		Sheet <b>9</b> of <b>9</b>	


**C-MAP**  
 C-MAP srl  
 v. Caboto, 9  
 54036 Marina di Carrara  
 Massa Carrara (MS)  
 ITALY

REVISION HISTORY			
REV. No.	Affected Zone	Description of changes/Related doc.	DATE

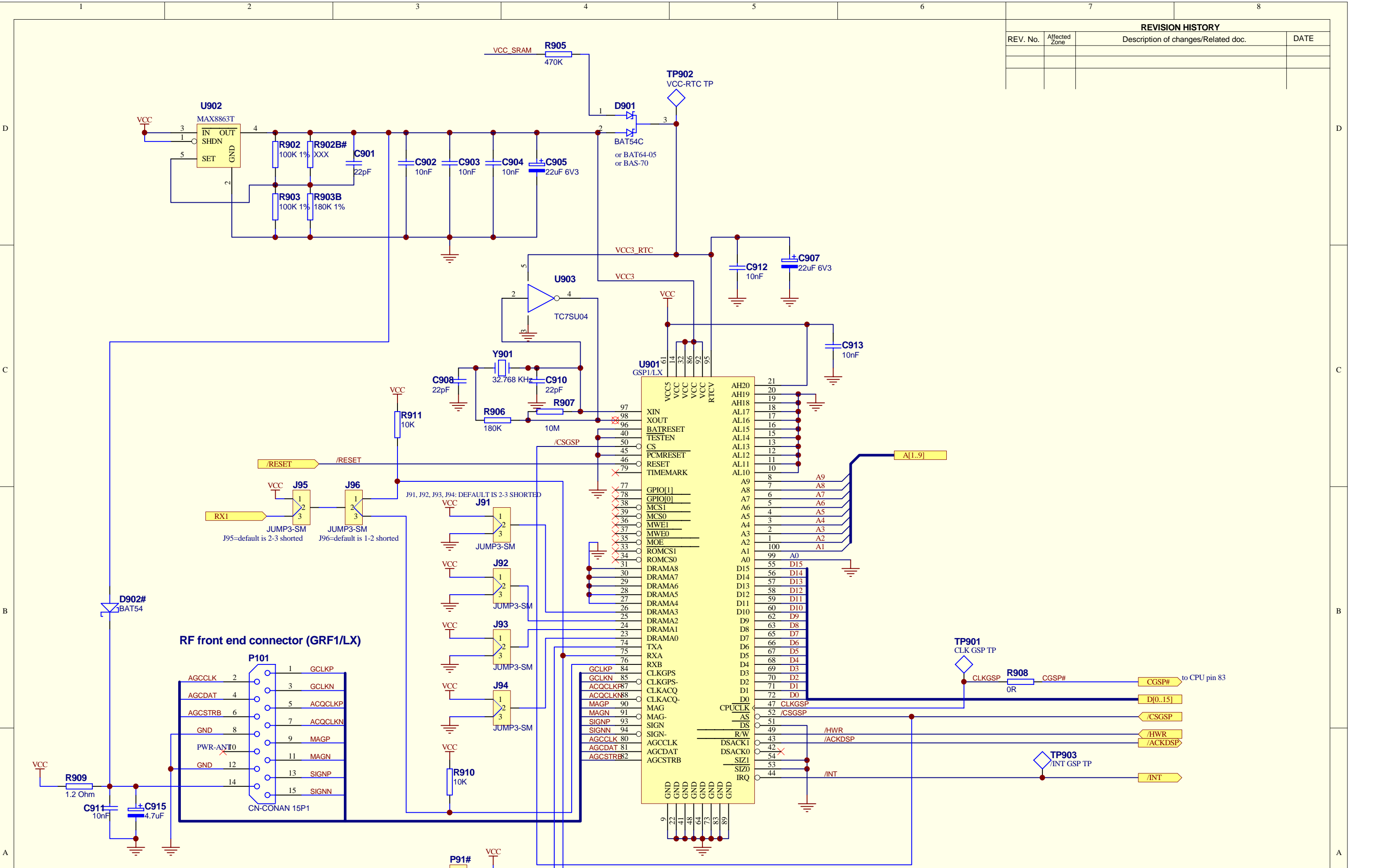


**GENERAL NOTES:**  
 - COMPONENTS NOT MOUNTED ARE MARKED WITH "#"  
 - ALL RESISTORS ARE "0805" TYPE IF NOT OTHERWISE SPECIFIED.

C-MAP srl COMPANY CONFIDENTIAL  
 Not to be disclosed to or used by any person who has not received prior written authorization from C-MAP srl. Any such disclosure or use may subject the violator to civil and criminal penalties as provided by law.

Title: <b>C2 mainboard</b>		Section <b>KBD</b>		 C-MAP srl v. Caboto,9 54036 Marina di Carrara Massa Carrara (MS) ITALY
Size: <b>A3</b>	SCH & PCB No.: <b>494E</b>	Sch Rev.: <b>01</b>	Date: <b>20/02/01</b>	
Applies to versions: File: 494E-KBD.SCH		Approval Date: Signature:		Drawn: LB Checked by : Sheet 5 of 9

REVISION HISTORY			
REV. No.	Affected Zone	Description of changes/Related doc.	DATE



**GENERAL NOTES:**  
 - COMPONENTS NOT MOUNTED ARE MARKED WITH "#"  
 - ALL RESISTORS ARE "0805" TYPE IF NOT OTHERWISE SPECIFIED.

C-MAP srl COMPANY CONFIDENTIAL  
 Not to be disclosed to or used by any person who has not received prior written authorization from C-MAP srl. Any such disclosure or use may subject the violator to civil and criminal penalties as provided by law.

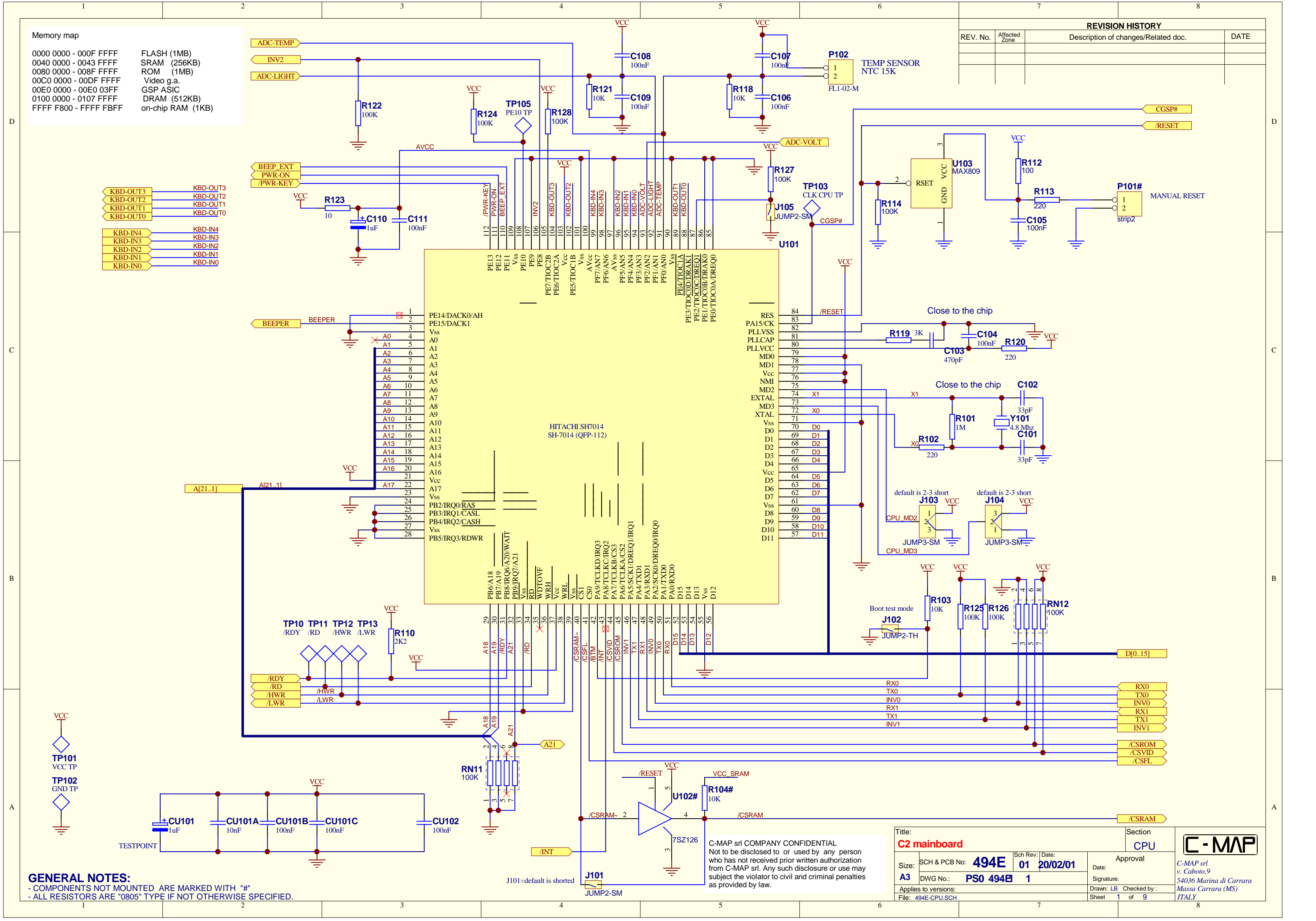
Title: <b>C2 mainboard</b>		Section: <b>DSP</b>	
Size: <b>A3</b>	Sch & PCB No: <b>494E</b>	Sch Rev: <b>01</b>	Date: <b>20/02/01</b>
Applies to versions: <b>PS0 494B 7</b>		Approval: _____	
File: 494E-DSP.SCH		Signature: _____	Date: _____
Sheet 7 of 9		C-MAP srl v. Caboto, 9 54036 Marina di Carrara Massa Carrara (MS) ITALY	

Memory map

0000 0000 - 000F FFFF	FLASH (1MB)
0040 0000 - 0043 FFFF	SRAM (256KB)
0080 0000 - 008F FFFF	ROM (1MB)
00C0 0000 - 00DF FFFF	Video g.a.
00E0 0000 - 00E0 03FF	GSP ASIC
0100 0000 - 0107 FFFF	DRAM (512KB)
FFFF F800 - FFFF FBFF	on-chip RAM (1KB)

- KBD-OUT3
- KBD-OUT2
- KBD-OUT1
- KBD-OUT0
- KBD-IN4
- KBD-IN3
- KBD-IN2
- KBD-IN1
- KBD-IN0

REVISION HISTORY			
REV. No.	Affected Zone	Description of changes/Related doc.	DATE



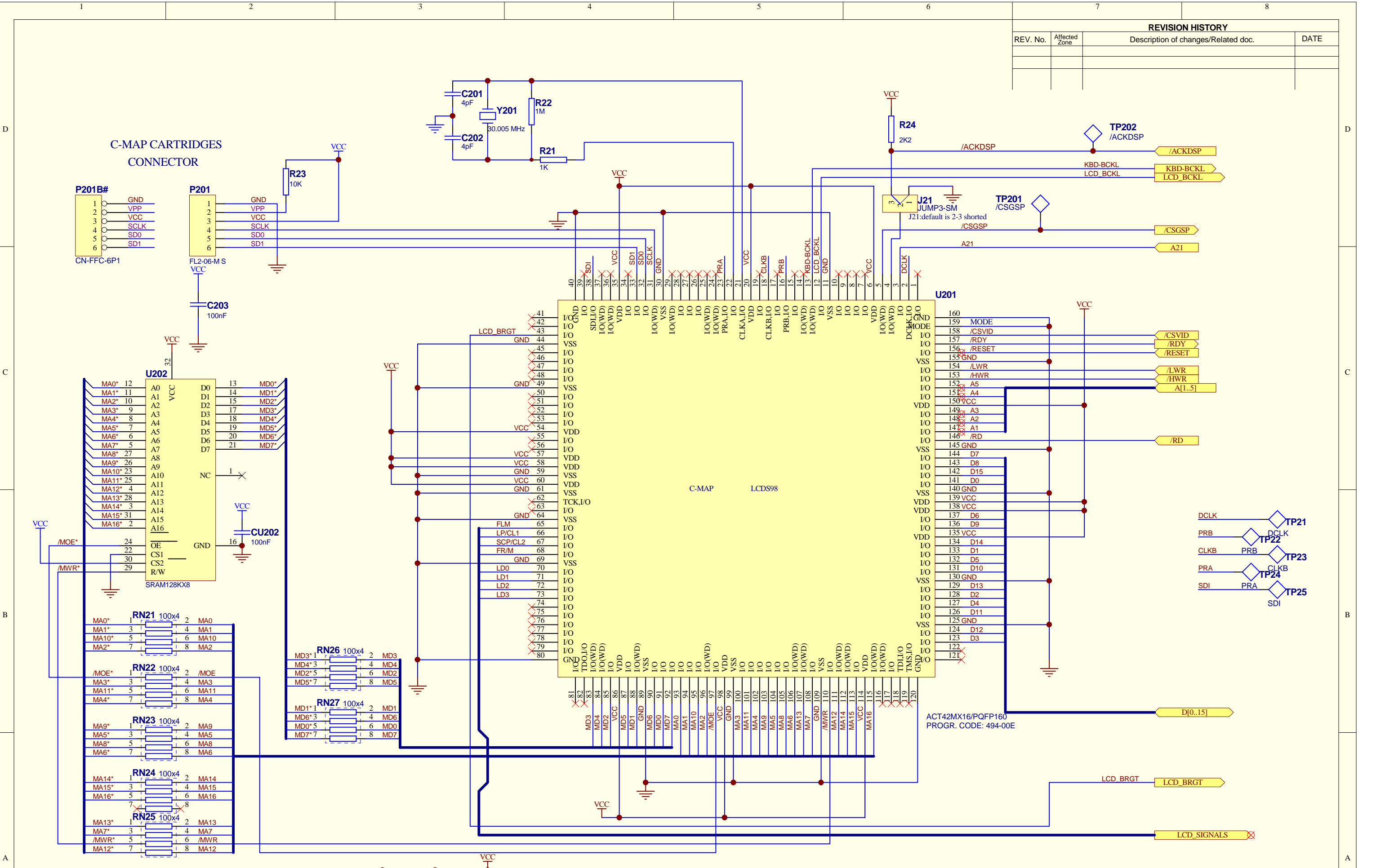
**GENERAL NOTES:**  
 - COMPONENTS NOT MOUNTED ARE MARKED WITH "#"  
 - ALL RESISTORS ARE "0805" TYPE IF NOT OTHERWISE SPECIFIED.

C-MAP srl COMPANY CONFIDENTIAL  
 Not to be disclosed to or used by any person who has not received prior written authorization from C-MAP srl. Any such disclosure or use may subject the violator to civil and criminal penalties as provided by law.

Title: <b>C2 mainboard</b>		Section: <b>CPU</b>	
Size: <b>A3</b>	SCH & PCB No: <b>494E</b>	Sch Rev: <b>01</b>	Date: <b>20/02/01</b>
DWG No.: <b>PS0 494E 1</b>		Approval	
Applies to versions:		Date:	
File: 494E-CPU.SCH		Signature:	
Sheet 1 of 9		Checked by:	

**C-MAP**  
 C-MAP srl  
 v. Caboto, 9  
 Massa Carrara (MS)  
 ITALY

REVISION HISTORY			
REV. No.	Affected Zone	Description of changes/Related doc.	DATE

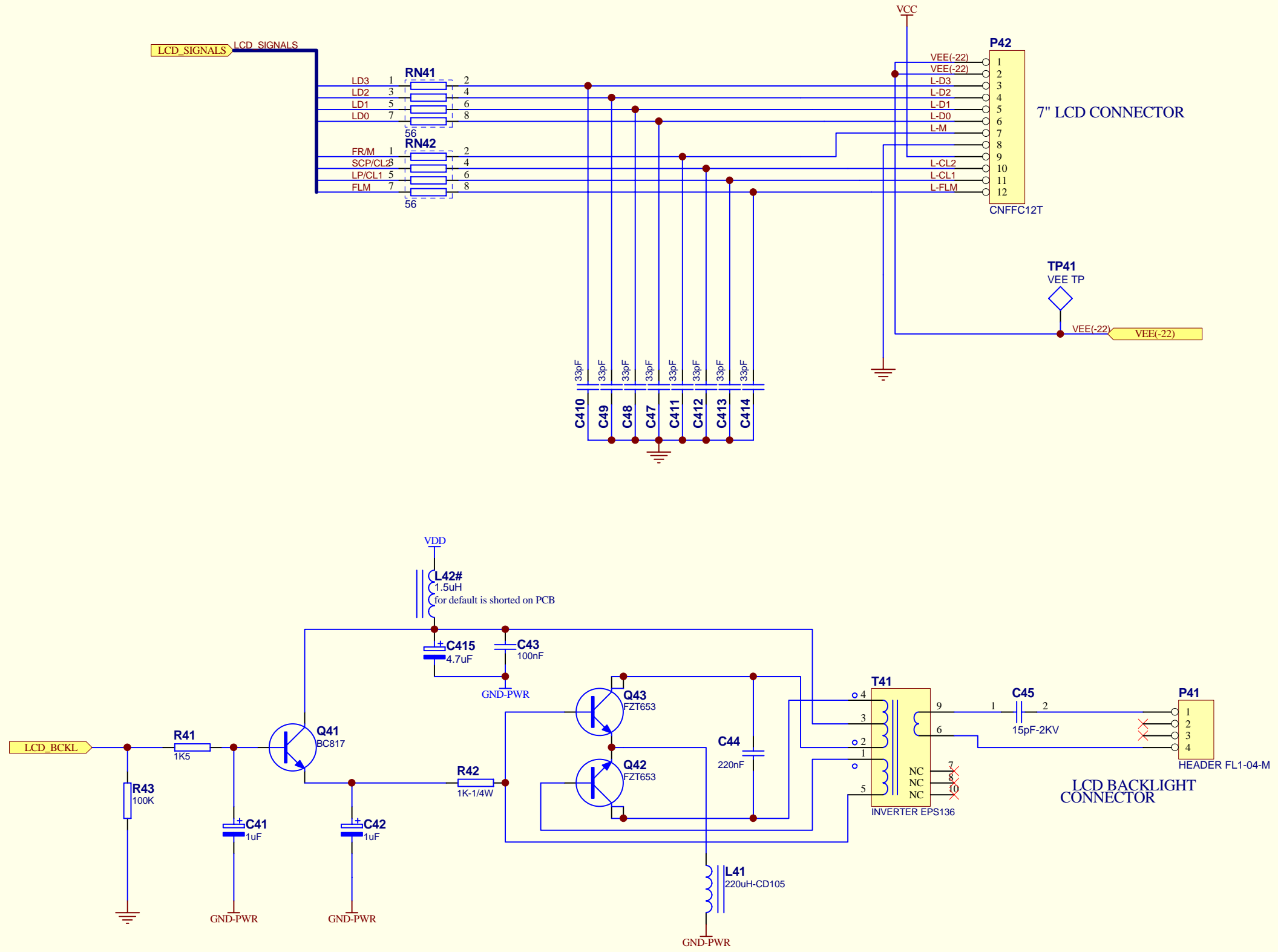


**GENERAL NOTES:**  
 - COMPONENTS NOT MOUNTED ARE MARKED WITH "#"  
 - ALL RESISTORS ARE "0805" TYPE IF NOT OTHERWISE SPECIFIED.

C-MAP srl COMPANY CONFIDENTIAL  
 Not to be disclosed to or used by any person who has not received prior written authorization from C-MAP srl. Any such disclosure or use may subject the violator to civil and criminal penalties as provided by law.

Title: <b>C2 mainboard</b>		Section VIDCTRL		<b>C-MAP</b>
Size: <b>A3</b>	SCH & PCB No: <b>494E</b>	Sch Rev: [Date]: <b>01 20/02/01</b>	Approval Date: Signature:	
Applies to versions: <b>PSO 494E 2</b>		Drawn: LB Checked by:		C-MAP srl v. Caboto, 9 54036 Marina di Carrara Massa Carrara (MS) ITALY
File: 494E-GA.SCH		Sheet 2 of 9		

REVISION HISTORY			
REV. No.	Affected Zone	Description of changes/Related doc.	DATE

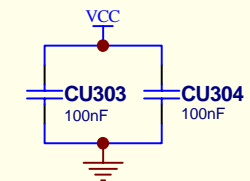
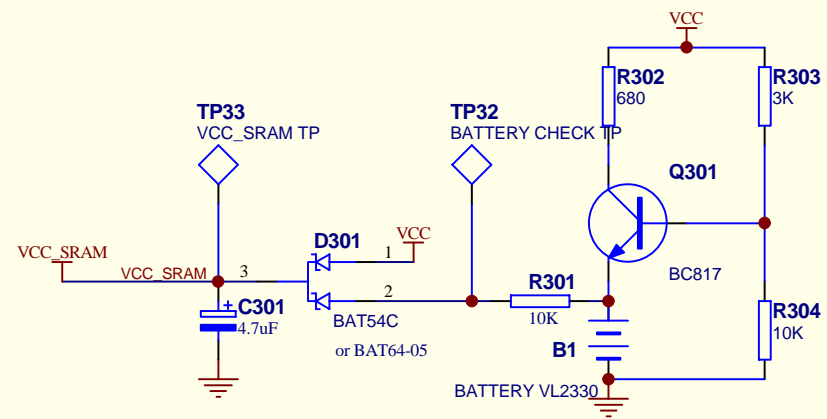
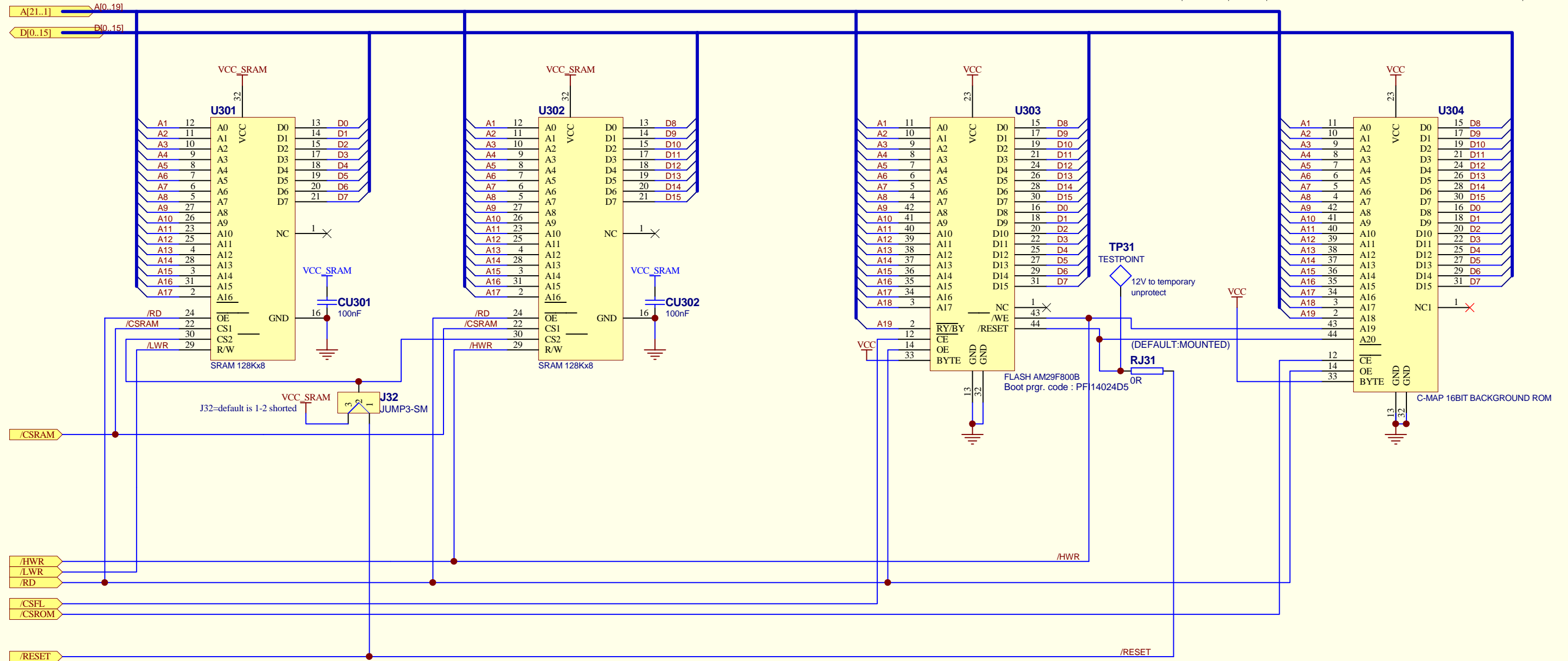


**GENERAL NOTES:**  
 - COMPONENTS NOT MOUNTED ARE MARKED WITH "#"  
 - ALL RESISTORS ARE "0805" TYPE IF NOT OTHERWISE SPECIFIED.

C-MAP srl COMPANY CONFIDENTIAL  
 Not to be disclosed to or used by any person who has not received prior written authorization from C-MAP srl. Any such disclosure or use may subject the violator to civil and criminal penalties as provided by law.

Title: <b>C2 mainboard</b>		Section: <b>LCD-CN</b>		
Size: SCH & PCB No: <b>494E</b>	Sch Rev: <b>01</b>	Date: <b>20/02/01</b>	Approval:	
<b>A3</b>	DWG No.: <b>PSO 494B 4</b>	Signature:		C-MAP srl v. Caboto, 9 54036 Marina di Carrara Massa Carrara (MS) ITALY
Applies to versions:		Drawn: LB	Checked by:	
File: 494E-LCD.SCH		Sheet <b>4</b> of <b>9</b>		

REVISION HISTORY			
REV. No.	Affected Zone	Description of changes/Related doc.	DATE



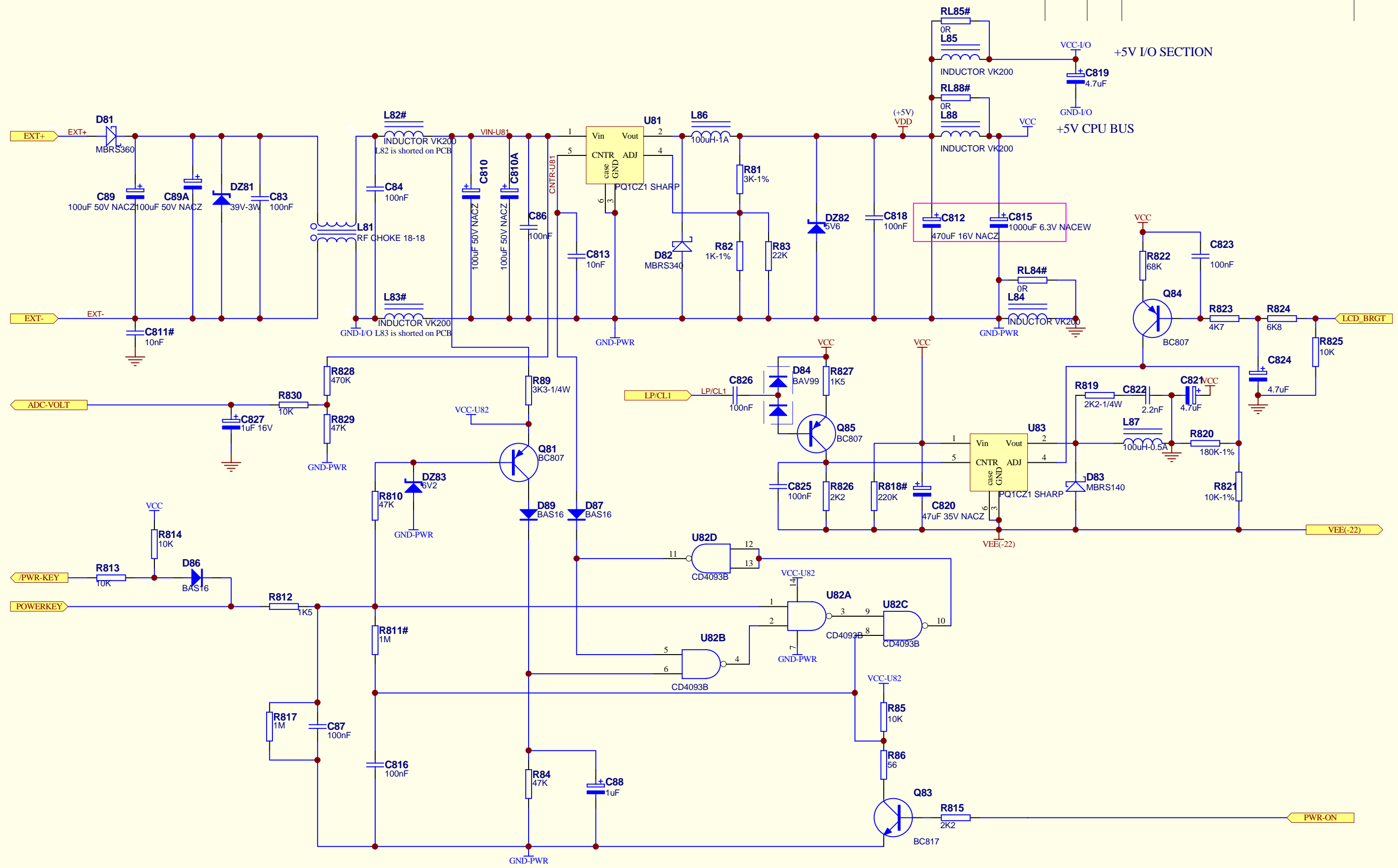
**GENERAL NOTES:**  
 - COMPONENTS NOT MOUNTED ARE MARKED WITH "#"  
 - ALL RESISTORS ARE "0805" TYPE IF NOT OTHERWISE SPECIFIED.

C-MAP srl COMPANY CONFIDENTIAL  
 Not to be disclosed to or used by any person who has not received prior written authorization from C-MAP srl. Any such disclosure or use may subject the violator to civil and criminal penalties as provided by law.

Title: <b>C2 mainboard</b>		Section: <b>MEM</b>	
Size: <b>A3</b>	SCH & PCB No: <b>494E</b>	Sch Rev: <b>01</b>	Date: <b>20/02/01</b>
Applies to versions: <b>PSO 494B 3</b>		Approval: _____	
File: 494E-MEM.SCH		Signature: _____	Date: _____
		Drawn: LB	Checked by: _____
		Sheet: <b>3</b>	of <b>9</b>

**C-MAP**  
 C-MAP srl  
 v. Caboto, 9  
 54036 Marina di Carrara  
 Massa Carrara (MS)  
 ITALY

REVISION HISTORY			
REV. No.	Affected Zone	Description of changes/Related doc.	DATE

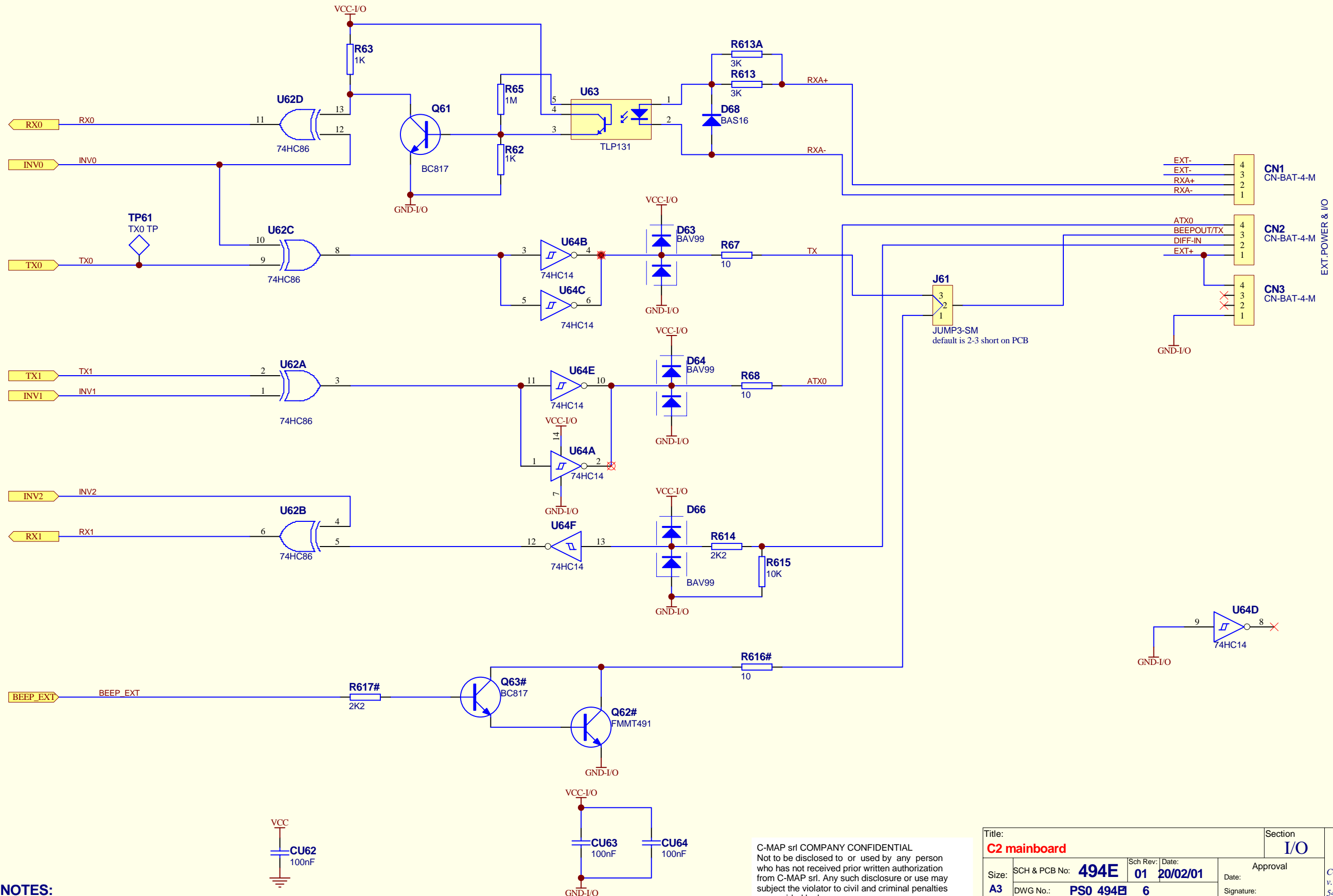


**GENERAL NOTES:**  
 - COMPONENTS NOT MOUNTED ARE MARKED WITH "#"  
 - ALL RESISTORS ARE "0805" TYPE IF NOT OTHERWISE SPECIFIED.

C-MAP srl COMPANY CONFIDENTIAL  
 Not to be disclosed to or used by any person who has not received prior written authorization from C-MAP srl. Any such disclosure or use may subject the violator to civil and criminal penalties as provided by law.

Title: <b>C2 mainboard</b>		Section: <b>PWR</b>		
Size: <b>A3</b>	SCH & PCB No.: <b>494E</b>	Sch Rev: Date: <b>01 20/02/01</b>	Approval:	
Applies to versions: <b>PSO 494E 8</b>		Signature:		C-MAP srl v. Caboto, 9 54036 Marina di Carrara Massa Carrara (MS) ITALY
File: 494E-PWR.SCH		Date:		
		Drawn: LB Checked by:		Sheet 8 of 9

REVISION HISTORY			
REV. No.	Affected Zone	Description of changes/Related doc.	DATE



**GENERAL NOTES:**  
 - COMPONENTS NOT MOUNTED ARE MARKED WITH "#"  
 - ALL RESISTORS ARE "0805" TYPE IF NOT OTHERWISE SPECIFIED.

C-MAP srl COMPANY CONFIDENTIAL  
 Not to be disclosed to or used by any person who has not received prior written authorization from C-MAP srl. Any such disclosure or use may subject the violator to civil and criminal penalties as provided by law.

Title: <b>C2 mainboard</b>		Section: <b>I/O</b>	
Size: <b>A3</b>	SCH & PCB No.: <b>494E</b>	Sch Rev:   Date: <b>01 20/02/01</b>	Approval Date: Signature:
Applies to versions: File: 494E-IO.SCH		Drawn: LB   Checked by: Sheet 6 of 9	
		 <small>C-MAP srl        v. Caboto, 9        54036 Marina di Carrara        Massa Carrara (MS)        ITALY</small>	