

■ NOT MOUNTED COMPONENTS ON ALL VERSIONS

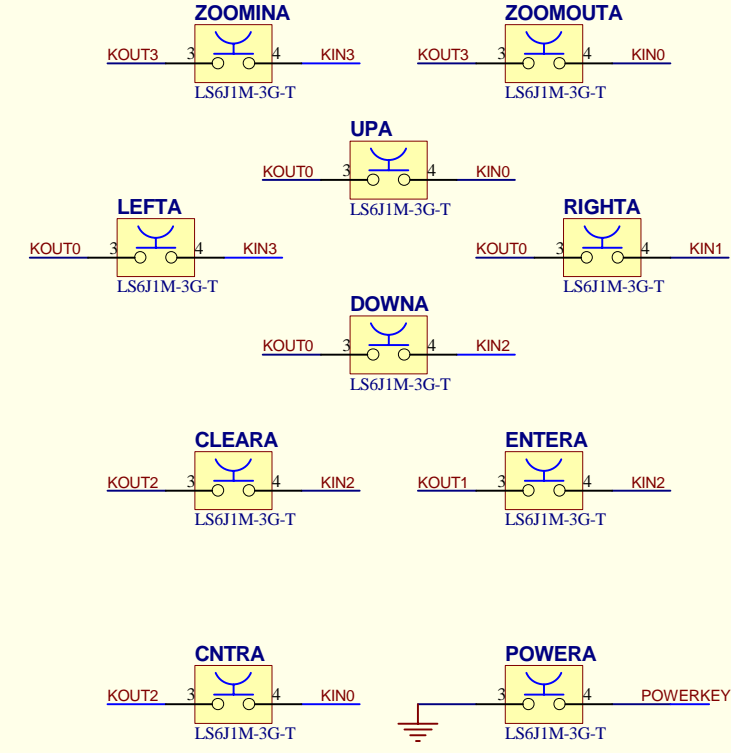
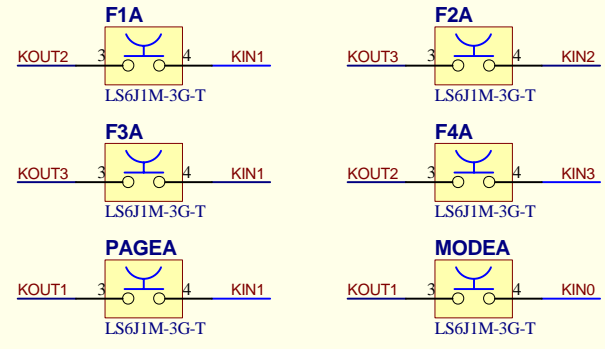
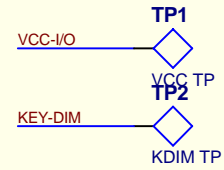
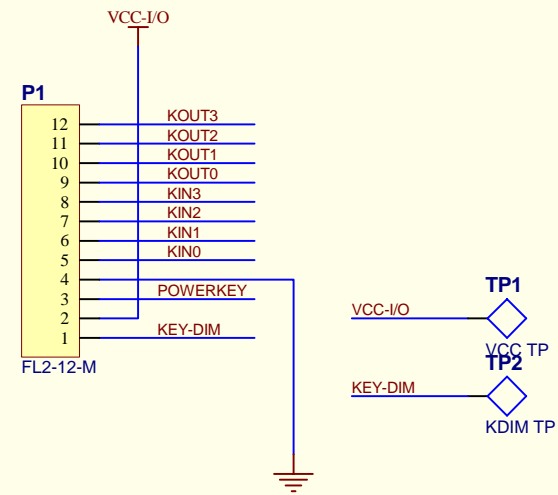
NOTE: COMPONENTS NOT MOUNTED ARE MARKED WITH '#'

ASSY CODE: BK [PCB No.] [PCB REV.] [SCH REV.] [VERSION]

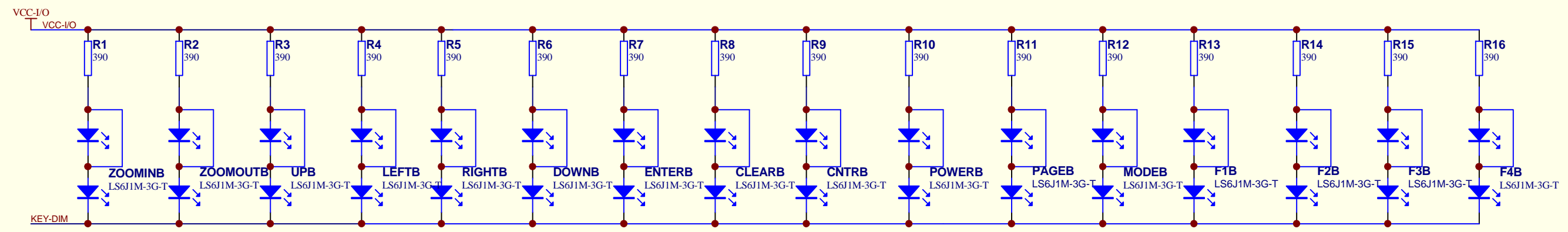
TITLE : PANC2000 KB				
PCB No.:	529	DIMENSIONS: mm (inch.)		
PCB REV.:	B	X = XXXXX		
SCH.REV.:	00	Y = XXXXX		
APP. TO VERSION :				
SIZE	SCALE	SHEET	APPROVALS	DATE
B		1 OF 1	DRAWN : RB	10/09/99
FILE : pt0529b1.pcb			CHECKED :	

REV.	DESCRIPTION	DATE	APPROVED
00		10/09/99	

REVISION				
ZONE	REV.	DESCRIPTION	DATE	APPROVED



	KEYOUT0	KEYOUT1	KEYOUT2	KEYOUT3
KEYIN0	UP	MODE	CNTR	ZOOM_OUT
KEYIN1	RIGHT	PAGE	F1	F3
KEYIN2	DOWN	ENTER	CLEAR	F2
KEYIN3	LEFT		F4	ZOOM_IN



GENERAL NOTES:

COMPONENTS NOT MOUNTED ARE MARKED WITH "#"
 ALL RESISTORS ARE "0805" TYPE IF NOT OTHERWISE SPECIFIED.

C-MAP srl COMPANY CONFIDENTIAL
 Not to be disclosed to or used by any person who has not received prior written authorization from C-MAP srl. Any such disclosure or use may subject the violator to civil and criminal penalties as provided by law.

Title PANC2000 - KEYBOARD		Section	
Size: A3	SCH & PCB No: 529B	Sch Rev:00	Applies to versions:
	DWG No. PS0529B1.1	Drawn: RB	Checked:
File: D:\BACK-UP\PROTEL\501-600\529\BK529B00.ddb Date: 20/06/2006 13:00:00 Page: 1 of 1			

