

versions :

Ver.s.00 (CRT w/tr ackpad) :
 as in layout
 Ver.s.01 (CRT w/tr ack-ball) :
 as Ver.s.00 (this version has been created to document a software difference) ;
 Ver.s.02 (LCD) :
 as Ver.s.00 except for :
 - J106 must be shorted.

■ NOT MOUNTED COMPONENTS ON ALL VERSIONS

TP1

C-MAP srl COMPANY CONFIDENTIAL

Not to be disclosed or used by any person
 who has not received prior written authorization
 from the company. The user hereby agrees to
 submit the vendor to civil and criminal penalties
 as provided by law.

NOTE: COMPONENTS NOT MOUNTED ARE MARKED WITH '#'

ASSY CODE: BM [PCB No.] [PCB REV.] [SCH REV.] [VERSION]

TITLE : PANC2000 controller

Upper (CPU) mainboard

PCB No.: 522 DIMENSIONS: mm (inch.)

PCB REV.: C X = 119.56 (4.707)

SCH.REV.: 00 Y = 79 (3.110)

APP. TO VERSION :

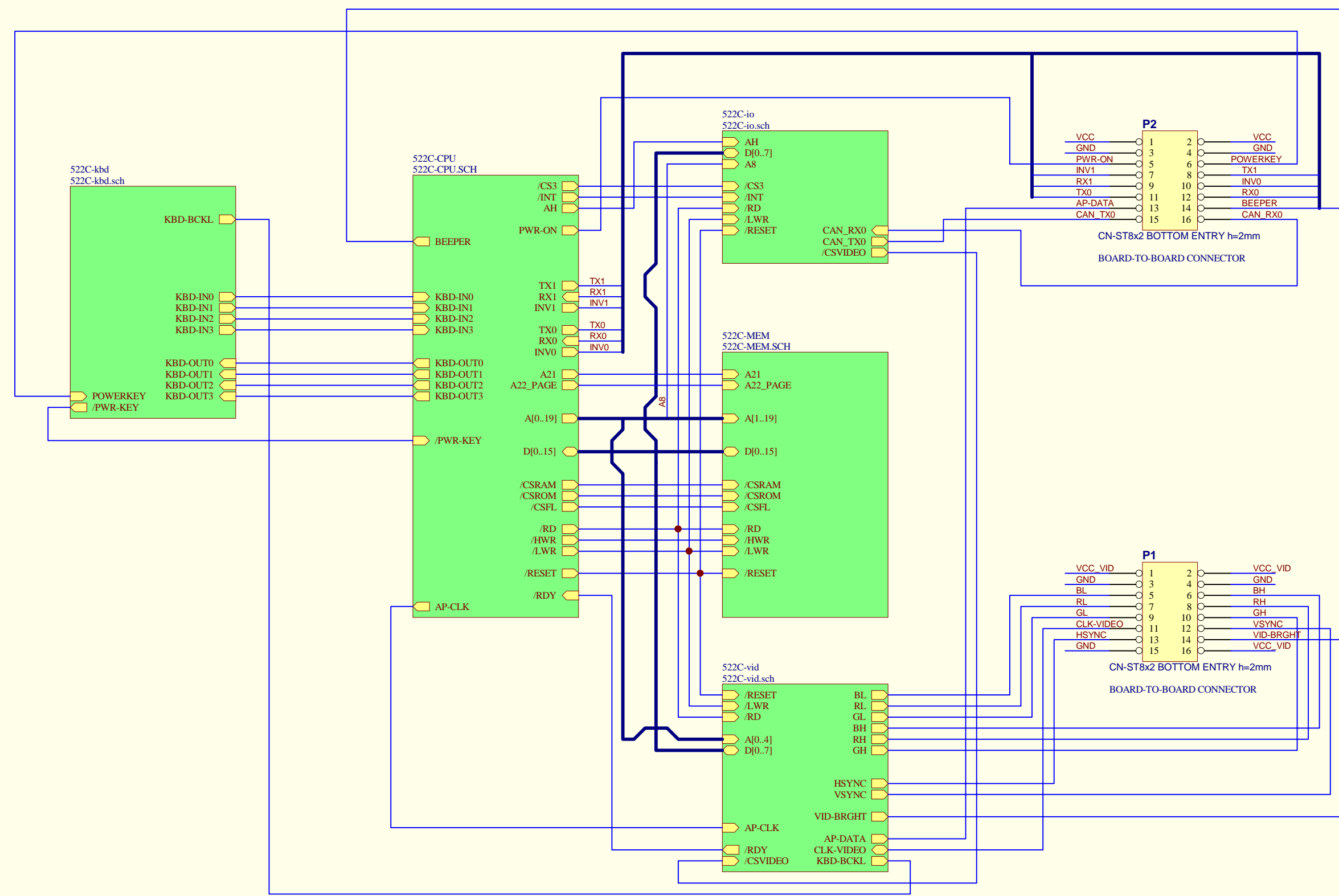
SIZE SCALE SHEET APPROVALS DATE

B 1 OF 1 DRAWN : RB 03/02/00

FILE : PT0522C1.pcb CHECKED :

REV.	DESCRIPTION	DATE	APPROVED
00		29/02/00	

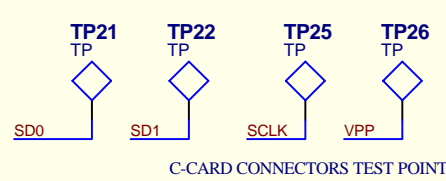
REVISION				
ZONE	REV.	DESCRIPTION	DATE	APPROVED



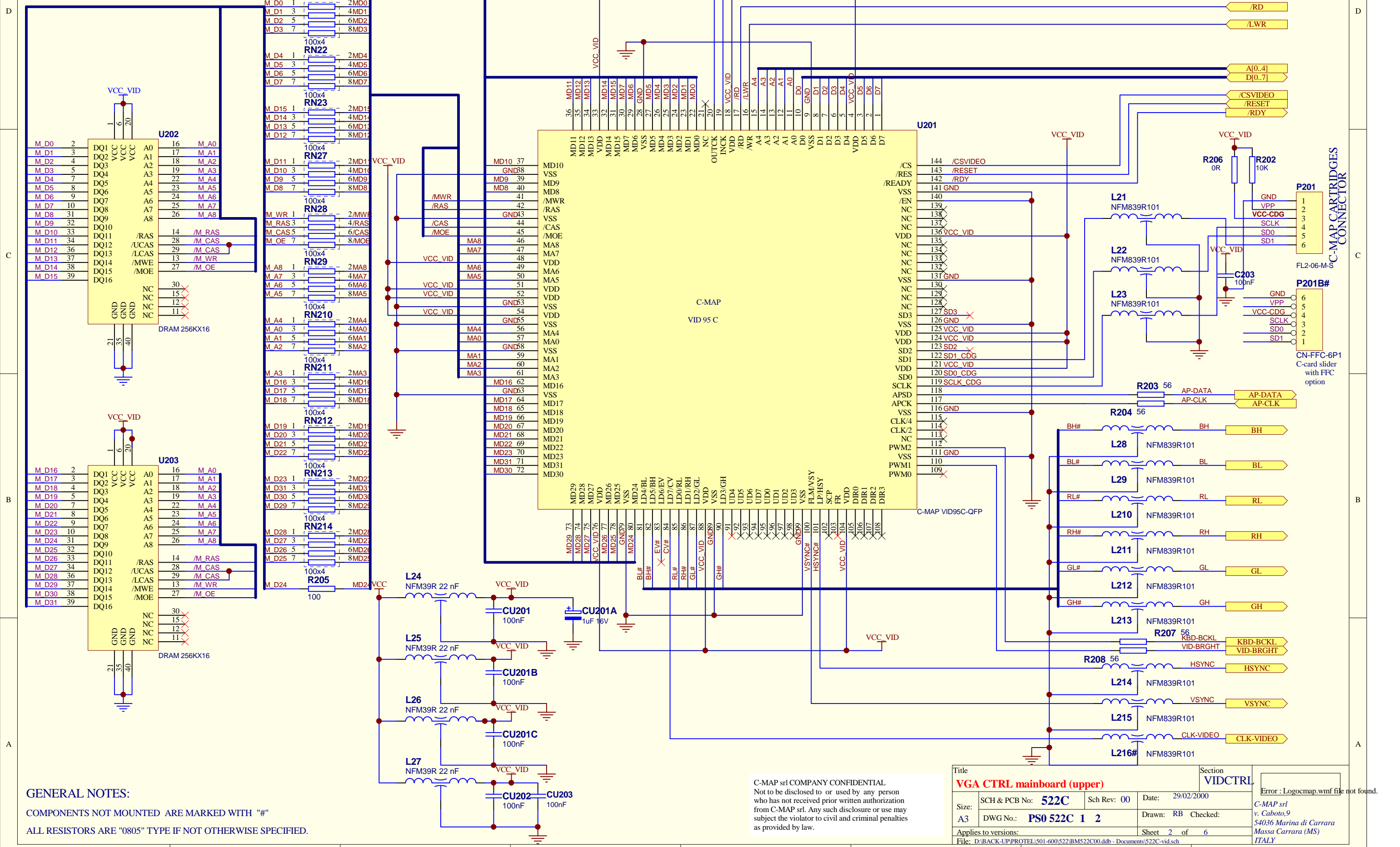
GENERAL NOTES:
 COMPONENTS NOT MOUNTED ARE MARKED WITH "#"
 ALL RESISTORS ARE "0805" TYPE IF NOT OTHERWISE SPECIFIED.

C-MAP srl COMPANY CONFIDENTIAL
 Not to be disclosed to or used by any person who has not received prior written authorization from C-MAP srl. Any such disclosure or use may subject the violator to civil and criminal penalties as provided by law.

Title VGA CTRL mainboard (upper)			Section	
Size: A3	SCH & PCB No: 522C	Sch Rev: 00	Date: 29/02/2000	Error : Logocmap.wmf file not found. C-MAP srl v. Caboto,9 54036 Marina di Carrara Massa Carrara (MS) ITALY
DWG No.: PS0 522C 1 1		Drawn: RB	Checked:	
Applies to versions:			Sheet 1 of 6	
File: D:\BACK-UP\PROTEL\501-600\522\BM522C00.ddb - Documents\ps0522C1.pri				



REVISION				
ZONE	REV.	DESCRIPTION	DATE	APPROVED



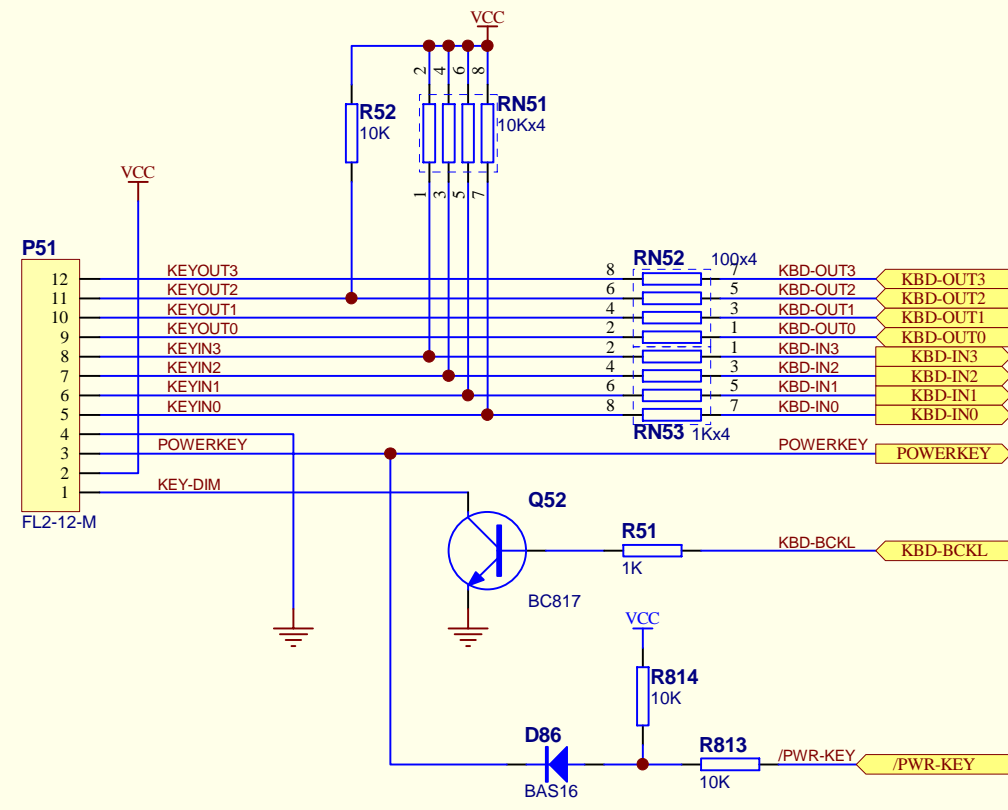
GENERAL NOTES:
 COMPONENTS NOT MOUNTED ARE MARKED WITH "#"
 ALL RESISTORS ARE "0805" TYPE IF NOT OTHERWISE SPECIFIED.

C-MAP srl COMPANY CONFIDENTIAL
 Not to be disclosed to or used by any person who has not received prior written authorization from C-MAP srl. Any such disclosure or use may subject the violator to civil and criminal penalties as provided by law.

Title VGA CTRL mainboard (upper)		Section VIDCTRL	
Size: A3	SCH & PCB No: 522C	Sch Rev: 00	Date: 29/02/2000
DWG No.: PS0 522C 1 2		Drawn: RB	Checked:
Applies to versions:		Sheet 2 of 6	
File: D:\BACK-UP\PROTEL\501-600\522\BMS22C00.ddb - Documents\522C-vid.sch		Error : Logocmap.wmf file not found.	

C-MAP srl
 v. Caboto,9
 54036 Marina di Carrara
 Massa Carrara (MS)
 ITALY

REVISION				
ZONE	REV.	DESCRIPTION	DATE	APPROVED



GENERAL NOTES:

COMPONENTS NOT MOUNTED ARE MARKED WITH "#"

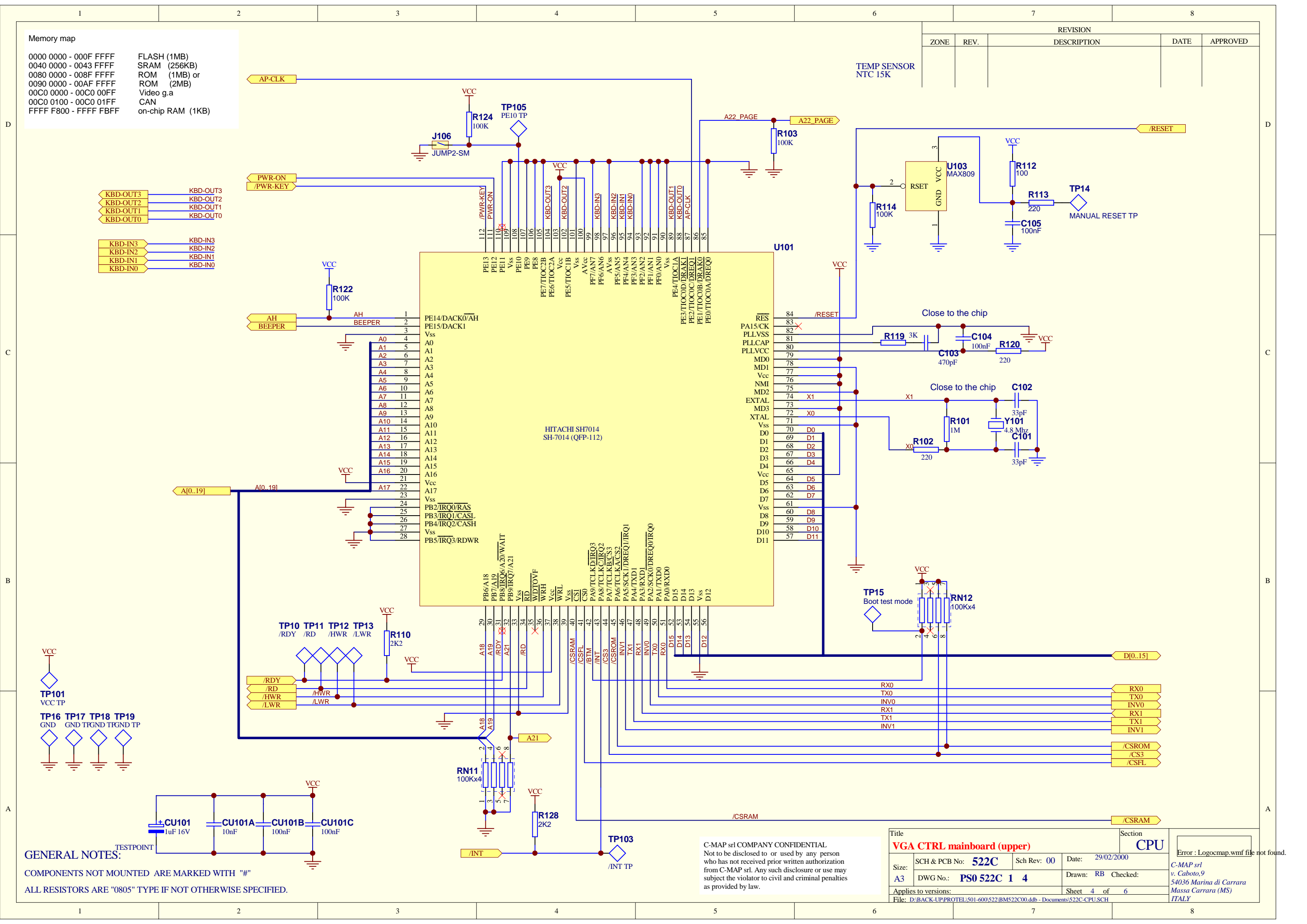
ALL RESISTORS ARE "0805" TYPE IF NOT OTHERWISE SPECIFIED.

C-MAP srl COMPANY CONFIDENTIAL
 Not to be disclosed to or used by any person who has not received prior written authorization from C-MAP srl. Any such disclosure or use may subject the violator to civil and criminal penalties as provided by law.

Title VGA CTRL mainboard (upper)			Section KBD	
Size: A3	SCH & PCB No: 522C	Sch Rev: 00	Date: 29/02/2000	Error : Logocmap.wmf file not found. C-MAP srl v. Caboto,9 54036 Marina di Carrara Massa Carrara (MS) ITALY
	DWG No.: PS0 522C 1 3	Drawn: RB	Checked:	
Applies to versions:			Sheet 3 of 6	
File: D:\BACK-UP\PROTEL\501-600\522\BMS22C00.ddb - Documents\522C-kbd.sch				

Memory map
 0000 0000 - 000F FFFF FLASH (1MB)
 0040 0000 - 0043 FFFF SRAM (256KB)
 0080 0000 - 008F FFFF ROM (1MB) or
 0090 0000 - 00AF FFFF ROM (2MB)
 00C0 0000 - 00C0 00FF Video g.a
 00C0 0100 - 00C0 01FF CAN
 FFFF F800 - FFFF FBFF on-chip RAM (1KB)

REVISION				
ZONE	REV.	DESCRIPTION	DATE	APPROVED

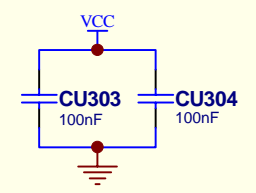
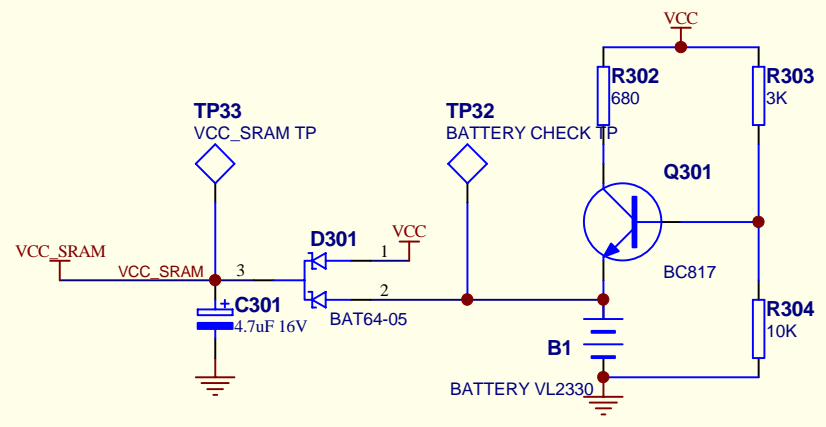
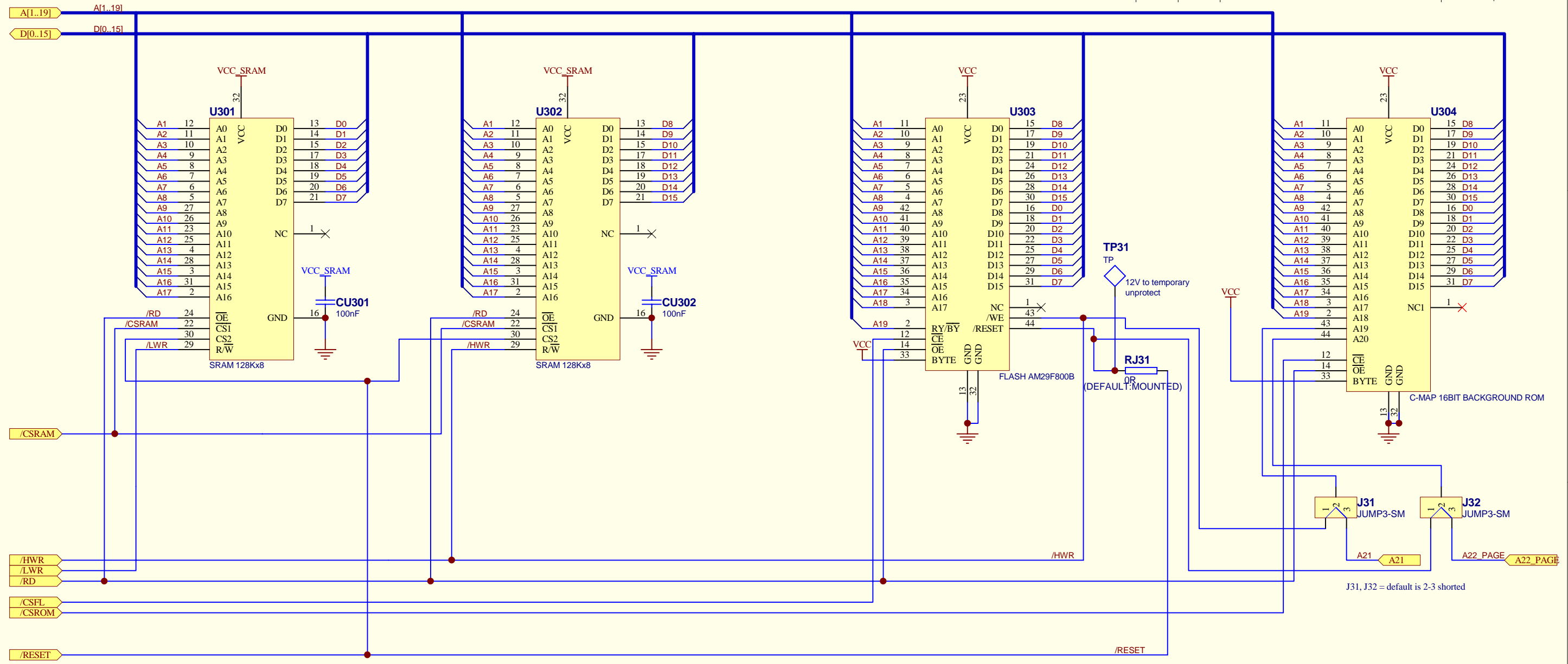


GENERAL NOTES:
 COMPONENTS NOT MOUNTED ARE MARKED WITH "#"
 ALL RESISTORS ARE "0805" TYPE IF NOT OTHERWISE SPECIFIED.

C-MAP srl COMPANY CONFIDENTIAL
 Not to be disclosed to or used by any person who has not received prior written authorization from C-MAP srl. Any such disclosure or use may subject the violator to civil and criminal penalties as provided by law.

Title VGA CTRL mainboard (upper)		Section CPU	
Size: SCH & PCB No: 522C	Sch Rev: 00	Date: 29/02/2000	Error : Logocmap.wmf file not found. C-MAP srl v. Caboto,9 54036 Carrara di Carrara Massa Carrara (MS) ITALY
A3 DWG No.: PS0 522C 1 4	Drawn: RB	Checked:	
Applies to versions:		Sheet 4 of 6	
File: D:\BACK-UP\PROTEL\501-600\522\BM522C00.ddb - Documents\522C-CPU\SCH			

REVISION				
ZONE	REV.	DESCRIPTION	DATE	APPROVED



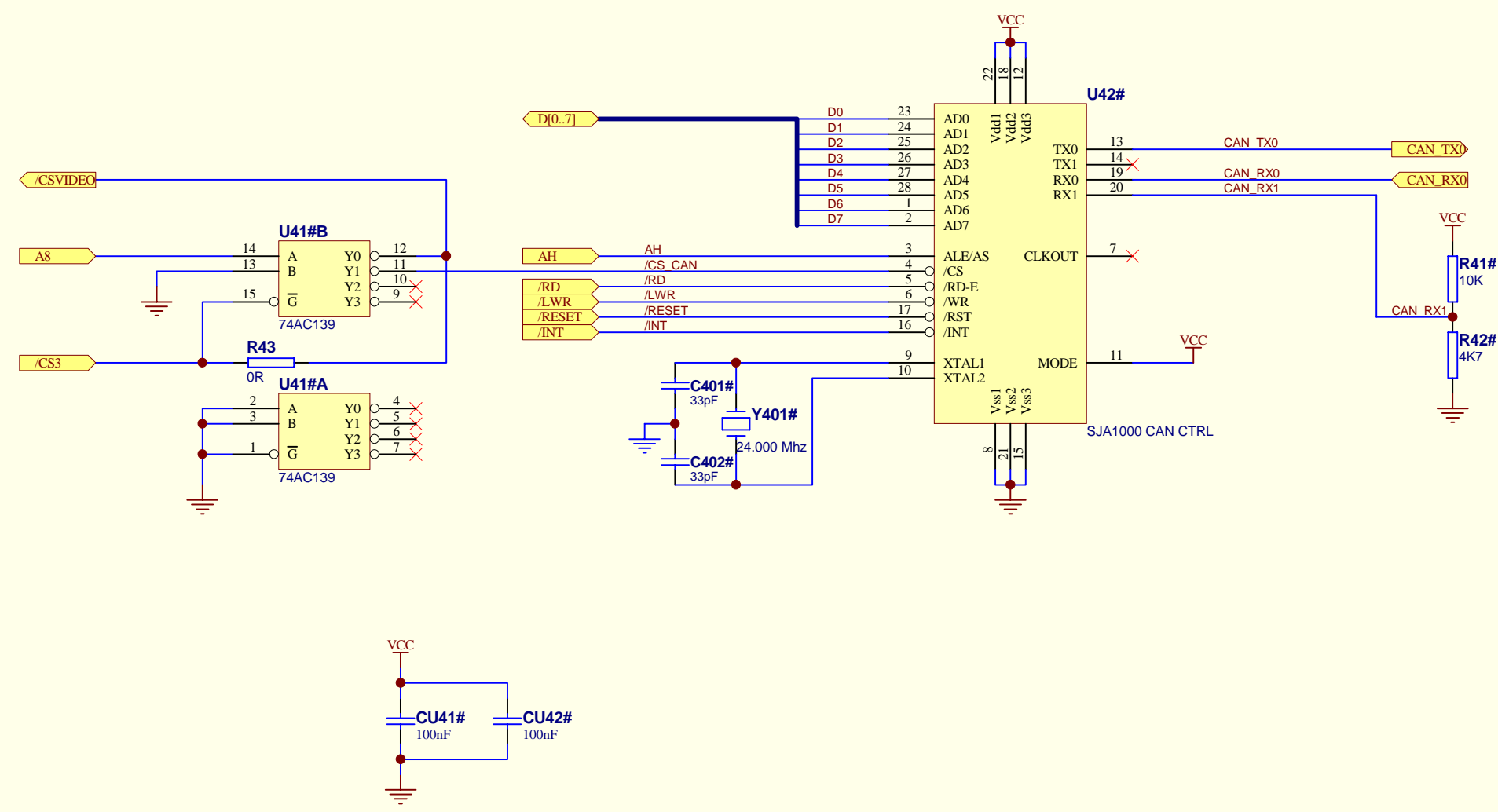
GENERAL NOTES:
 COMPONENTS NOT MOUNTED ARE MARKED WITH "#"
 ALL RESISTORS ARE "0805" TYPE IF NOT OTHERWISE SPECIFIED.

C-MAP srl COMPANY CONFIDENTIAL
 Not to be disclosed to or used by any person who has not received prior written authorization from C-MAP srl. Any such disclosure or use may subject the violator to civil and criminal penalties as provided by law.

Title VGA CTRL mainboard (upper)			Section MEM	
Size: A3	SCH & PCB No: 522C	Sch Rev: 00	Date: 29/02/2000	Drawn: RB Checked:
Applies to versions:			Sheet 5 of 6	File: D:\BACK-UP\PROTEL\501-600\522\BM522C00.ddb - Documents\522C-MEM.SCH

Error : Logocmap.wmf file not found.
 C-MAP srl
 v. Caboto,9
 54036 Marina di Carrara
 Massa Carrara (MS)
 ITALY

REVISION				
ZONE	REV.	DESCRIPTION	DATE	APPROVED



GENERAL NOTES:
 COMPONENTS NOT MOUNTED ARE MARKED WITH "#"
 ALL RESISTORS ARE "0805" TYPE IF NOT OTHERWISE SPECIFIED.

C-MAP srl COMPANY CONFIDENTIAL
 Not to be disclosed to or used by any person who has not received prior written authorization from C-MAP srl. Any such disclosure or use may subject the violator to civil and criminal penalties as provided by law.

Title VGA CTRL mainboard (upper)			Section I/O	
Size A3	SCH & PCB No: 522C	Sch Rev: 00	Date: 29/02/2000	Error : Logocmap.wmf file not found. C-MAP srl v. Caboto,9 54036 Marina di Carrara Massa Carrara (MS) ITALY
DWG No.: PS0 522C 1 6	Drawn: RB	Checked:	Sheet 6 of 6	
Applies to versions:			File: D:\BACK-UP\PROTEL\501-600\522\BMS22C00.ddb - Documents\522C-io.sch	