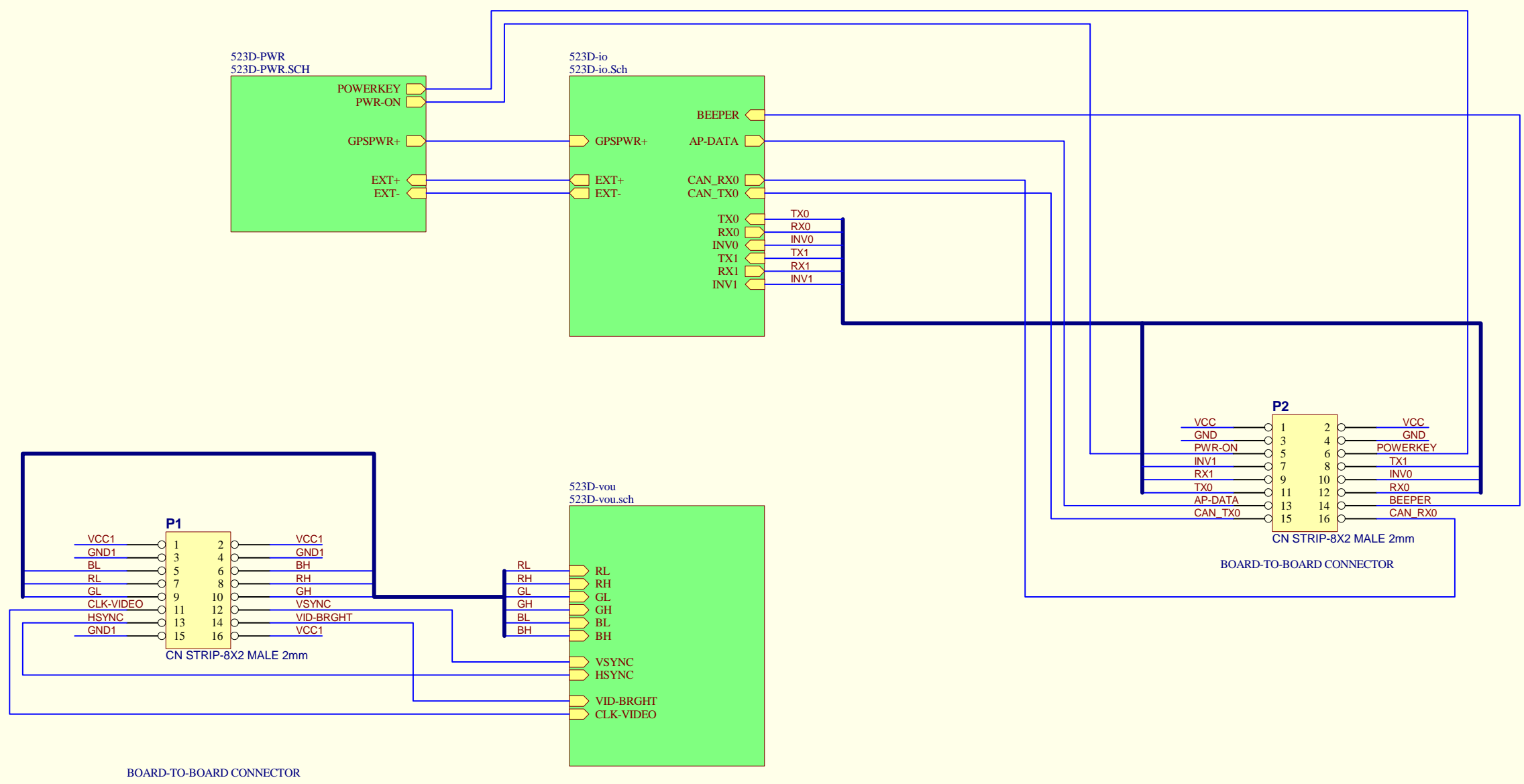


REVISION				
ZONE	REV.	DESCRIPTION	DATE	APPROVED



GENERAL NOTES:

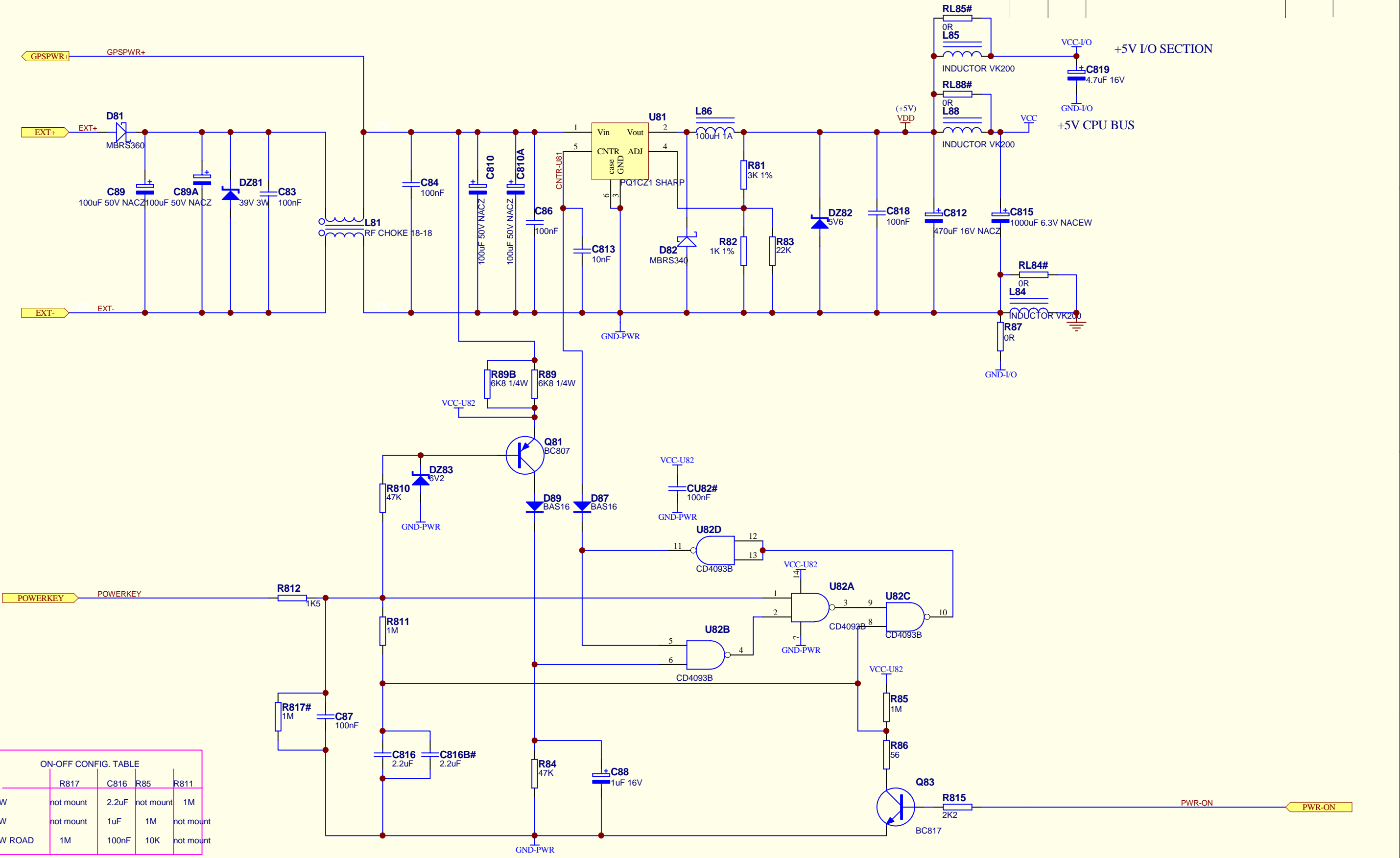
COMPONENTS NOT MOUNTED ARE MARKED WITH "#"

ALL RESISTORS ARE "0805" TYPE IF NOT OTHERWISE SPECIFIED.

C-MAP srl COMPANY CONFIDENTIAL
 Not to be disclosed to or used by any person who has not received prior written authorization from C-MAP srl. Any such disclosure or use may subject the violator to civil and criminal penalties as provided by law.

Title VGA CTRL mainboard (lower)			Section	
Size: A3	SCH & PCB No: 523D	Sch Rev: 00	Date: 29/02/2000	Error : Logocmap.wmf file not found. C-MAP srl v. Caboto,9 54036 Marina di Carrara Massa Carrara (MS) ITALY
	DWG No.: PS0 523D 1 1	Drawn: RB	Checked:	
Applies to versions:			Sheet 1 of 4	
File: D:\BACK-UP\PROTEL\501-600\523\BM523D00.dtb - Documents\PS0523D1.prj				

REVISION				
ZONE	REV.	DESCRIPTION	DATE	APPROVED



	R817	C816	R85	R811
HW	not mount	2.2uF	not mount	1M
SW	not mount	1uF	1M	not mount
SW ROAD	1M	100nF	10K	not mount

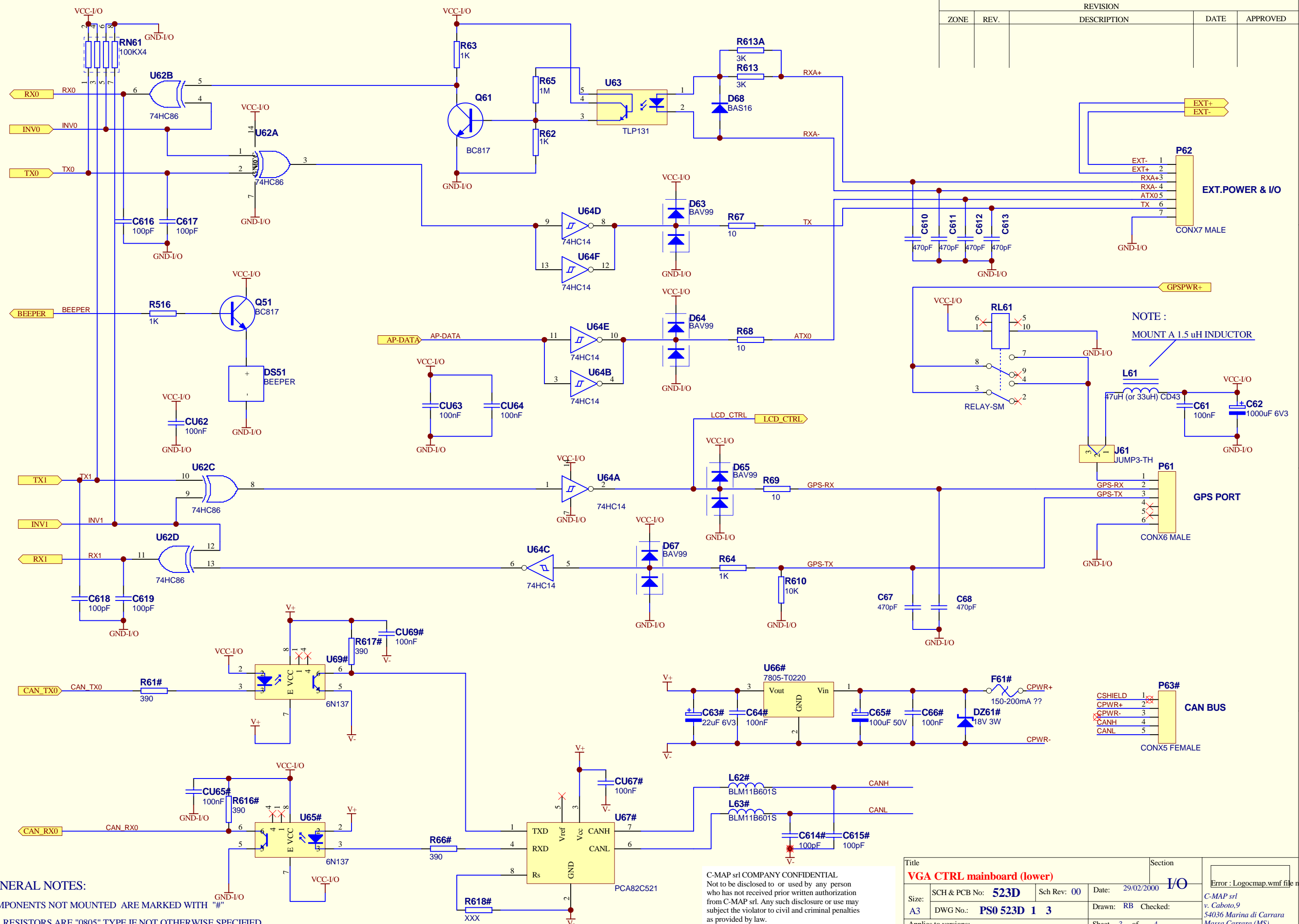
GENERAL NOTES:
 COMPONENTS NOT MOUNTED ARE MARKED WITH "#"
 ALL RESISTORS ARE "0805" TYPE IF NOT OTHERWISE SPECIFIED.

C-MAP srl COMPANY CONFIDENTIAL
 Not to be disclosed to or used by any person who has not received prior written authorization from C-MAP srl. Any such disclosure or use may subject the violator to civil and criminal penalties as provided by law.

Title VGA CTRL mainboard (lower)		Section PWR	
Size: A3	SCH & PCB No: 523D	Sch Rev: 00	Date: 29/02/2000
DWG No.: PS0 523D 1 2		Drawn: RB	Checked:
Applies to versions:		Sheet 2 of 4	
File: D:\BACK-UP\PROTEL\501-600\523\BM523D00.ddb - Documents\523D-PWR.SCH		Error : Logocmap.wmf file not found.	

C-MAP srl
 v. Caboto, 9
 54036 Marina di Carrara
 Massa Carrara (MS)
 ITALY

REVISION				
ZONE	REV.	DESCRIPTION	DATE	APPROVED



GENERAL NOTES:
 COMPONENTS NOT MOUNTED ARE MARKED WITH "#"
 ALL RESISTORS ARE "0805" TYPE IF NOT OTHERWISE SPECIFIED.

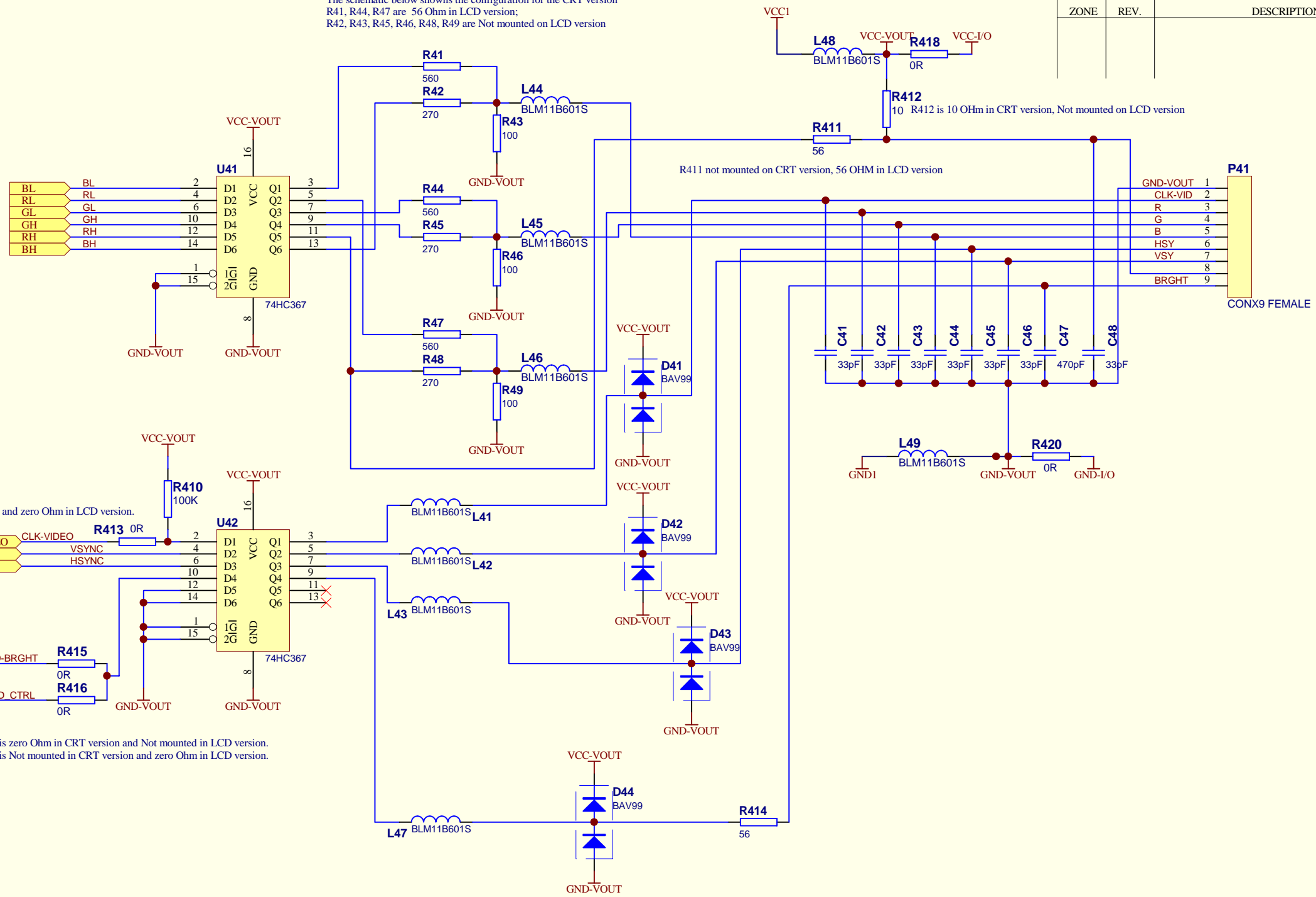
C-MAP srl COMPANY CONFIDENTIAL
 Not to be disclosed to or used by any person who has not received prior written authorization from C-MAP srl. Any such disclosure or use may subject the violator to civil and criminal penalties as provided by law.

Title		Section	
VGA CTRL mainboard (lower)		I/O	
Size:	SCH & PCB No: 523D	Sch Rev: 00	Date: 29/02/2000
A3	DWG No.: PS0 523D 1 3	Drawn: RB	Checked:
Applies to versions:		Sheet 3 of 4	
File: D:\BACK-UP\PROTEL\501-600\523\BM523D00.dtb - Documents\523D-io.Sch		Error : Logocmap.wmf file not found.	

C-MAP srl
 v. Caboto, 9
 54036 Marina di Carrara
 Massa Carrara (MS)
 ITALY

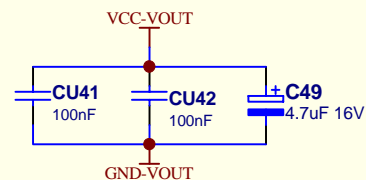
The schematic below shows the configuration for the CRT version
 R41, R44, R47 are 56 Ohm in LCD version;
 R42, R43, R45, R46, R48, R49 are Not mounted on LCD version

REVISION				
ZONE	REV.	DESCRIPTION	DATE	APPROVED



R413 is Not mounted in CRT version and zero Ohm in LCD version.

R415 is zero Ohm in CRT version and Not mounted in LCD version.
 R416 is Not mounted in CRT version and zero Ohm in LCD version.



GENERAL NOTES:

COMPONENTS NOT MOUNTED ARE MARKED WITH "#"

ALL RESISTORS ARE "0805" TYPE IF NOT OTHERWISE SPECIFIED.

C-MAP srl COMPANY CONFIDENTIAL
 Not to be disclosed to or used by any person who has not received prior written authorization from C-MAP srl. Any such disclosure or use may subject the violator to civil and criminal penalties as provided by law.

Title		Section	
VGA CTRL mainboard (lower)		VIDOUT	
Size:	SCH & PCB No: 523D	Sch Rev: 00	Date: 29/02/2000
A3	DWG No.: PS0 523D 1 4	Drawn: RB	Checked:
Applies to versions:		Sheet 4 of 4	
File: D:\BACK-UP\PROTEL\501-600\523\BM523D00.dtb - Documents\523D-vou.sch			

Error : Logocmap.wmf file not found.

C-MAP srl
 v. Caboto,9
 54036 Marina di Carrara
 Massa Carrara (MS)
 ITALY