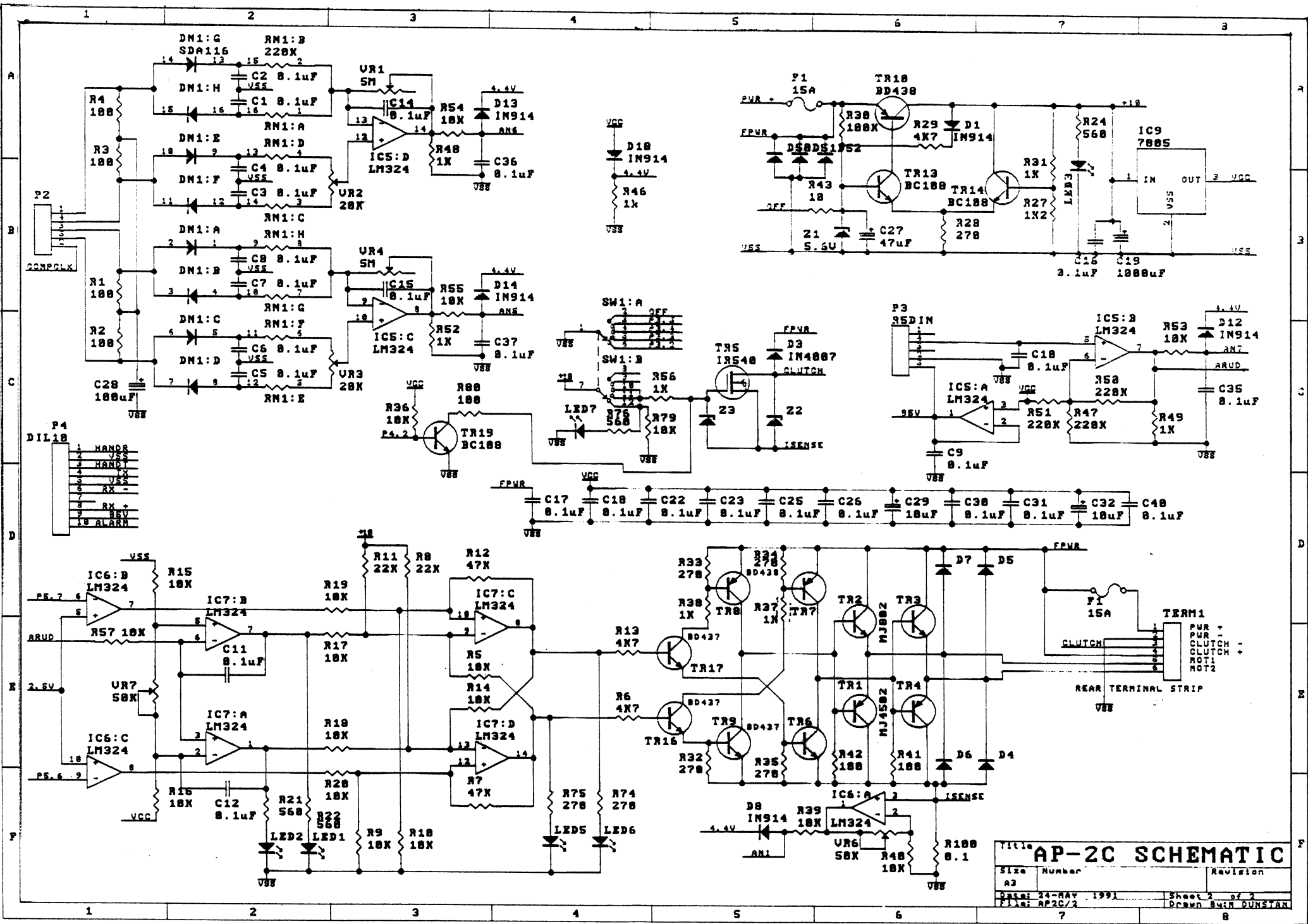


Title			AP-2C SCHEMATIC		
Size	Number	Revision			
A3					
Date:	24-MAY 1991	Sheet 1 of 2		Drawn BY: M DUNSTAN	
File:	AP2C/1			8	



Title AP-2C SCHEMATIC
Size Number
Revision
Date 24-NOV 1991 **Sheet** 2 of 2
File AP25/2 **Drawn** BUN DUNSTAN