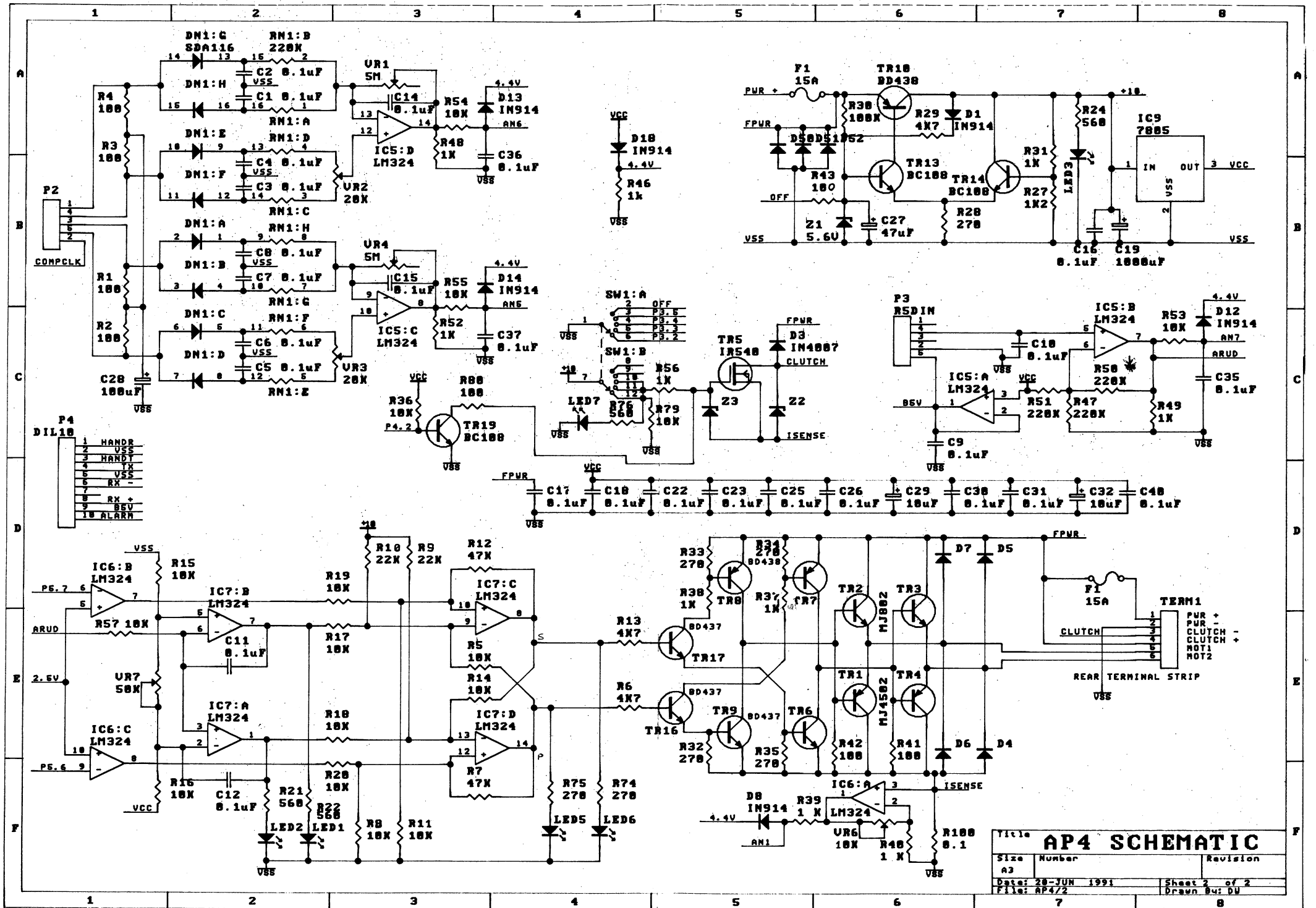


Title		
AP4 SCHEMATIC		
Size	Number	Revision
A3		
Date:	28-JUN 1991	Sheet 1 of 2
File:	AP4/1	Drawn By: DW



Title **AP4 SCHEMATIC**
 Size Number Revision
 A3
 Date: 28-JUN 1991 Sheet 2 of 2
 File: AP4/2 Drawn By: DU

* R50 - 300K
 LATER MODELS