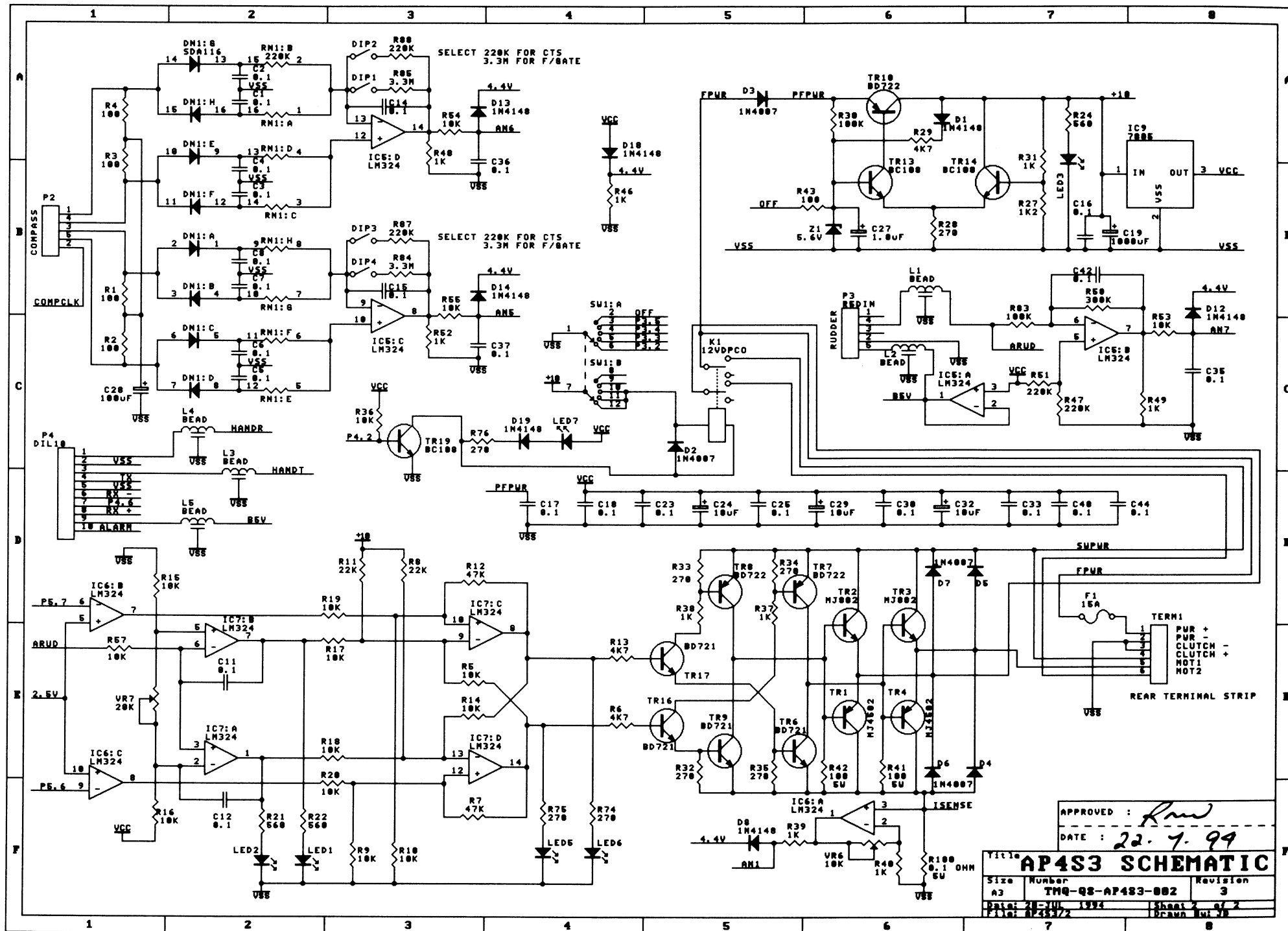


APPROVED : *Rm*
 DATE : 22.7.94

Title		
AP4S3 SCHEMATIC		
Size	Number	Revision
A3	TMQ-QS-AP4S3-001	4
Date:	28-JUL-1994	Sheet 04/2
File:	AP4S3/1	Drawn: RWI:JD

Display

Microcontroller



APPROVED: *[Signature]*
 DATE: 22.7.99

Title: AP4S3 SCHEMATIC		
Size: A3	Number: TM9-QS-AP483-002	Revision: 3
Date: 28-JUL-1994	Sheet: 4 of 2	Drawn: SUT