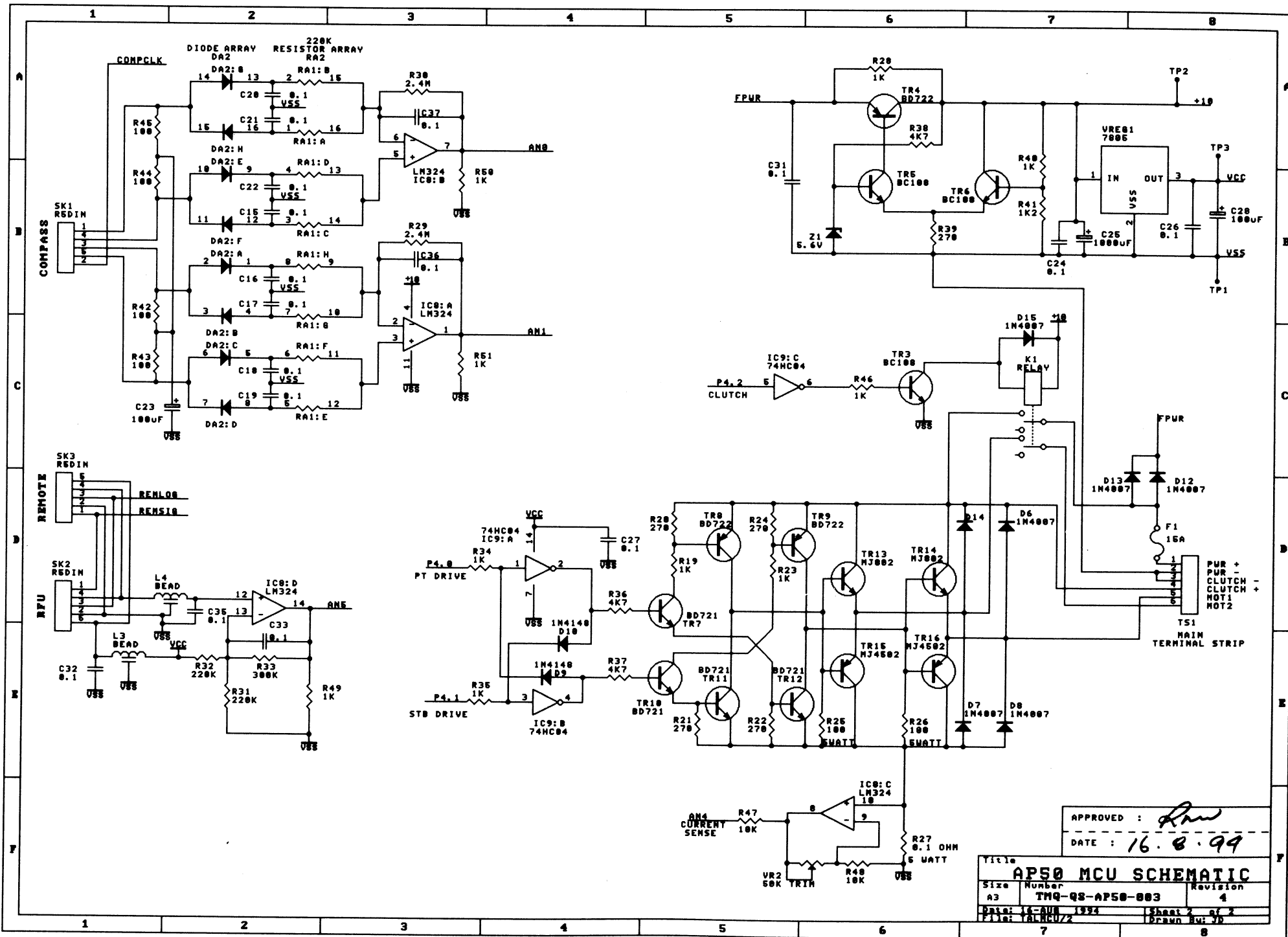


APPROVED : *Rnw*
 DATE : 16-8-97

TITL0		
AP50 MCU SCHEMATIC		
Size	Number	Revision
A3	TMQ-Q8-AP50-002	4
Date: 16-AUG 1997	Sheet: 01/2	
File: YALMCU1	Drawn: EML/VD	



APPROVED : *[Signature]*
 DATE : 16.8.99

Title AP50 MCU SCHEMATIC		
Size A3	Number TMQ-QS-AP50-003	Revision 4
Date: 14-AUG 1994	Sheet 2 of 2	Drawn: BUC/YD