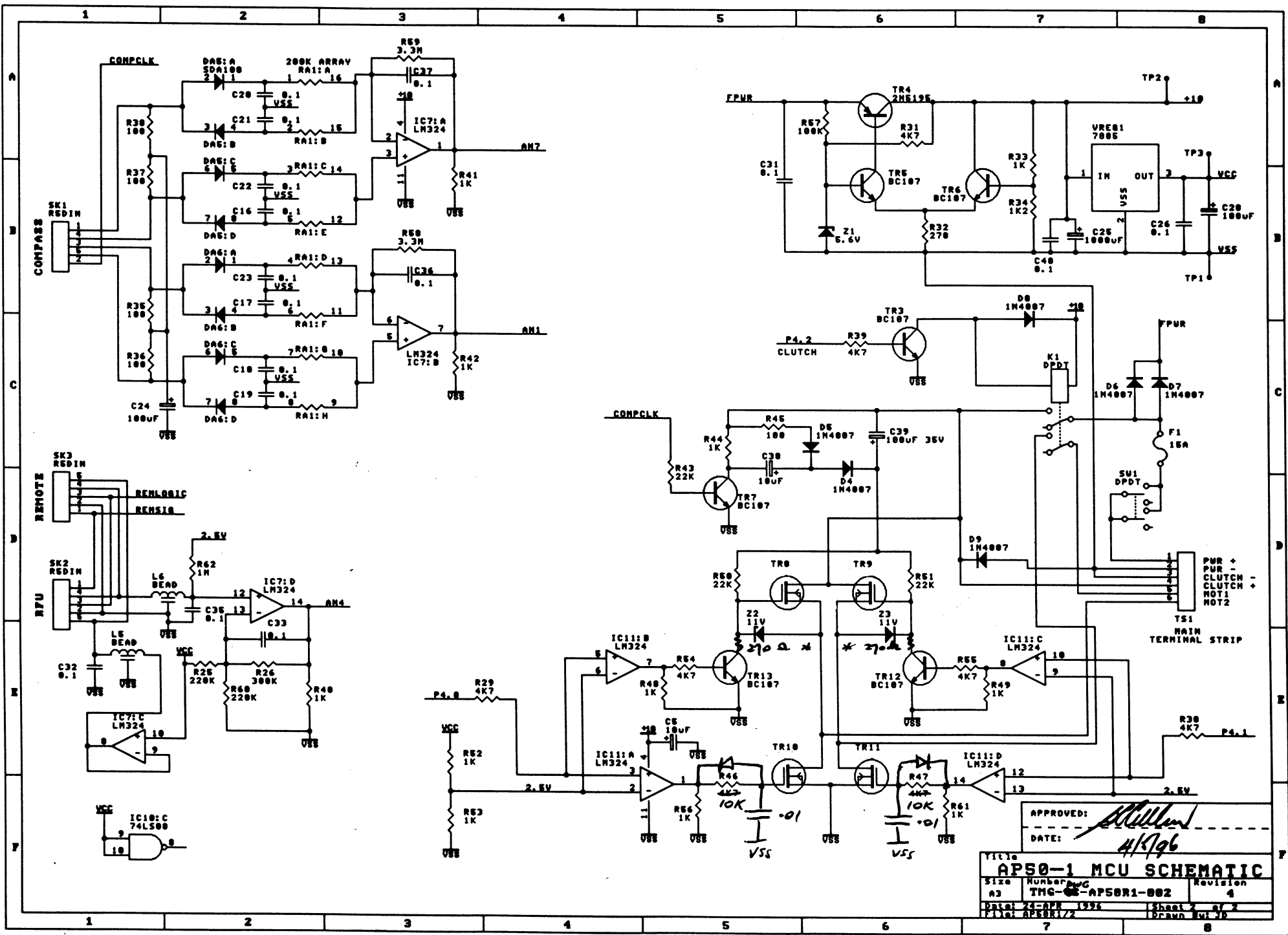


APPROVED: *[Signature]*
 DATE: 6.11.95
 TITLE: AP50-1 MCU SCHEMATIC
 SIZE: A3
 NUMBER OF SHEETS: 1
 REVISION: 3
 DRAWN BY: [Name]
 CHECKED BY: [Name]



* Mod 18 POC 6/12/96.

* added. Mj: AP50 Mod 1A. 2/21/96.

APPROVED: *[Signature]*
 DATE: 4/5/96

FIG 10
AP50-1 MCU SCHEMATIC

Size	Number	Revision
A3	THC-05-AP50R1-002	4

Date: 24-APR 1996
 Drawn: Mj/10
 Checked: Mj/10

1

2

3

4

A

A

B

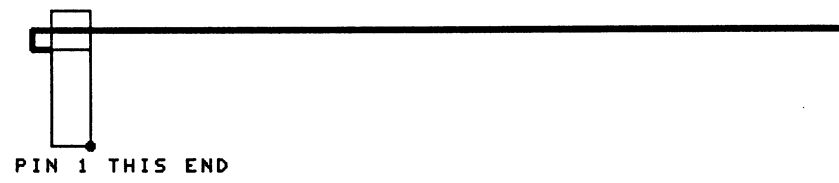
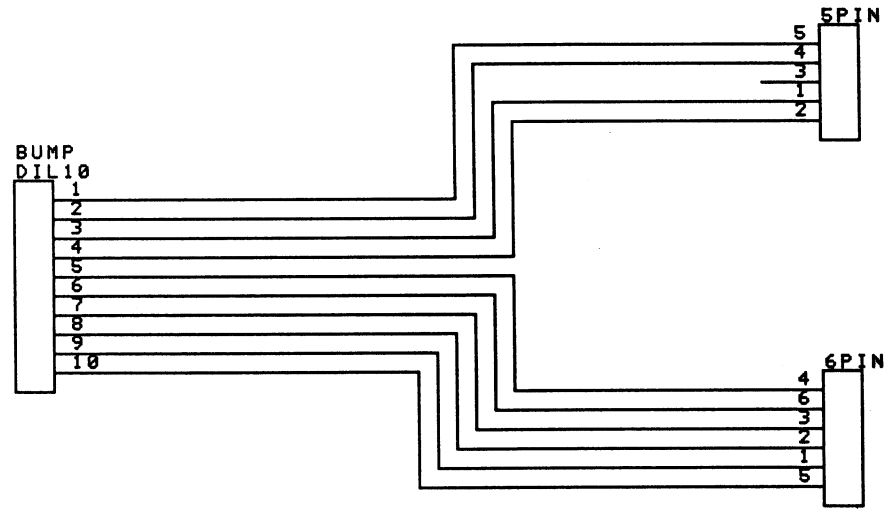
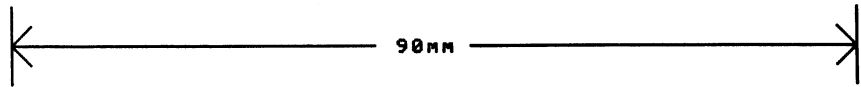
B

C

C

D

D



APPROVED: *[Signature]* 6/11/95

Title		
AP50R1 HEADER DETAIL		
Size	Number DWG	Revision
A4	TMQ- 05 -AP50R1-003	0
Date: 6-NOV 1995	Sheet 1 of 1	
File: AP50HDR/1	Drawn By: J D	

1

2

3

4