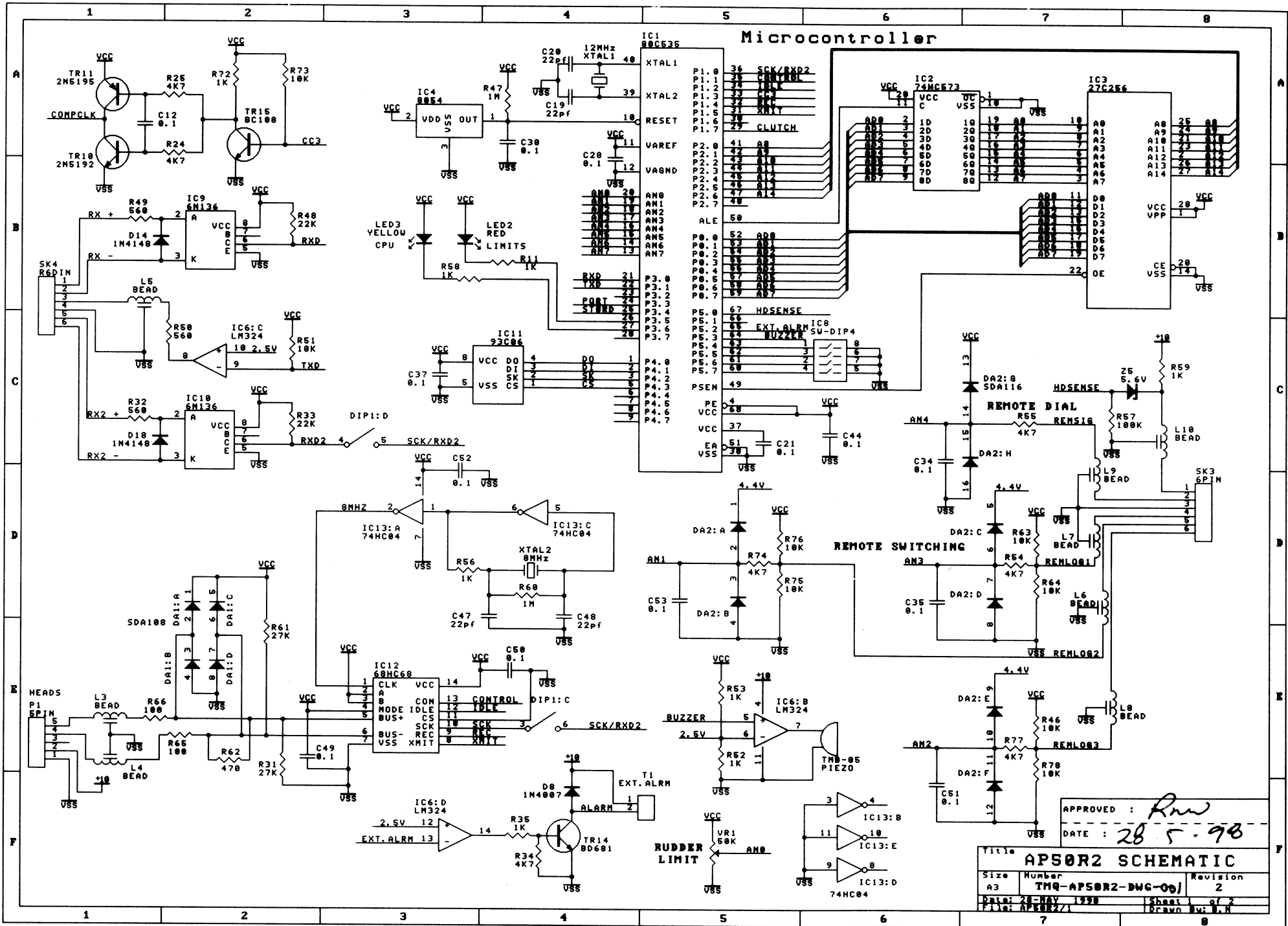


APPROVED : *[Signature]*
 DATE : 28.5.98

Title			Revision		
APS0R2 SCHEMATIC			2		
Size	Number			Revision	
A3	TMQ-APS0R2-DWG	002		2	
Date: 28-MAY 1998	File: APS0R2/2		Sheet 2 of 2		Drawn By: W.N



APPROVED: *Rnw*
 DATE: 28-5-98

Title			APS0R2 SCHEMATIC		
Size	Number	Revision			
A3	THQ-APS0R2-DWG-001	2			
Date:	28-MAY-1998	Sheet	of 2		
File:	APS0R2/1	Drawn	By: B.N.		