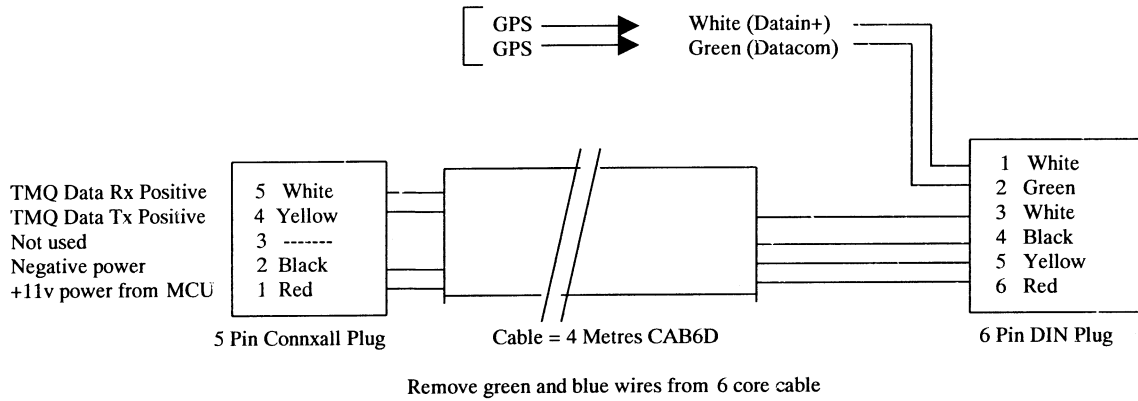
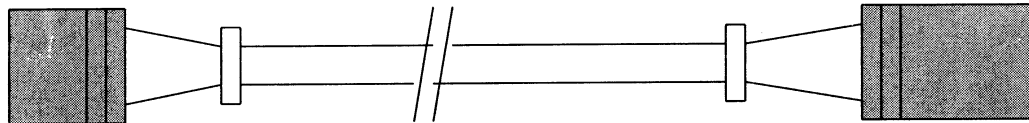


### AP500 Display Connection Cable



### AP500 Display - Extension Cable



6 Pin DIN Socket

Cable = 4 Metres CAB6D \*

6 Pin DIN Plug

Pin connections:

- 1 White
- 2 Green
- 3 Blue
- 4 Black
- 5 Yellow
- 6 Red

\* Length made to order  
Standard = 4 metres

### Internal Production Modification – AP500 Display

- Process:
- a) Fit 1000uF capacitor across pins 1 and 2 of socket
  - b) Link pins 2 and 3

