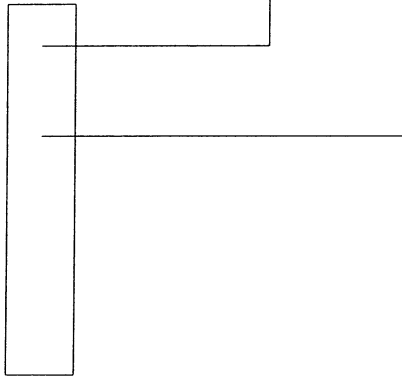


CLU- CLU+ MOT MOT



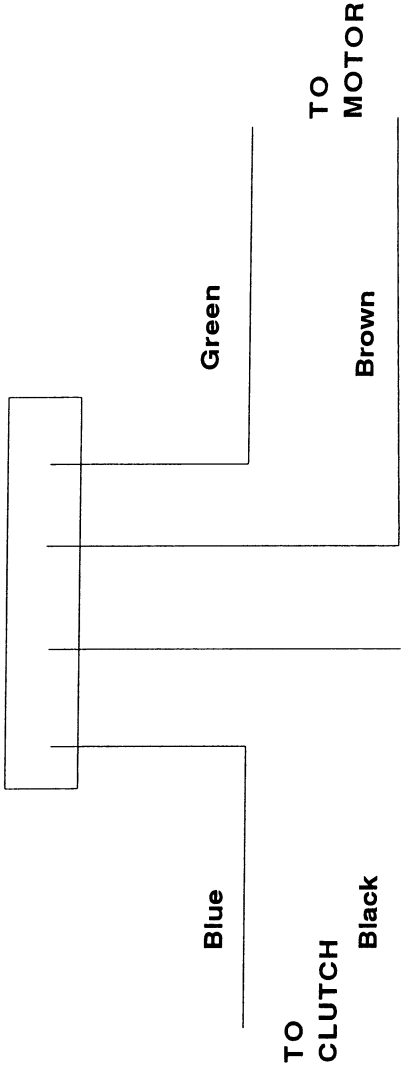
Reversing Hydraulic Pumps

CLU- CLU+ MOT MOT



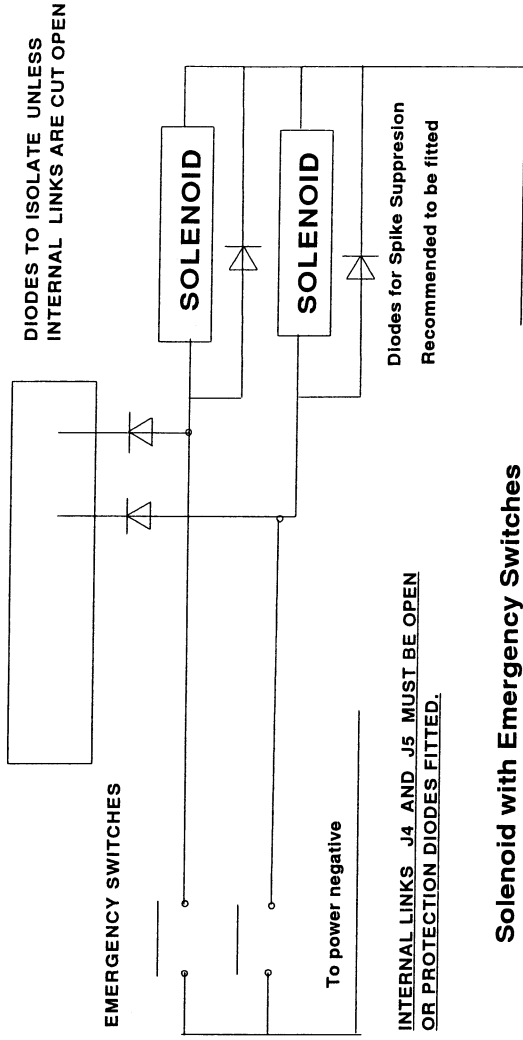
Solenoid Valves

CLU- CLU+ MOT MOT



Mechanical or Linear drives

CLU- CLU+ MOT MOT



Solenoid with Emergency Switches

DRIVE CONNECTION DIAGRAM FOR AP9
SERIAL 11500 ONWARDS