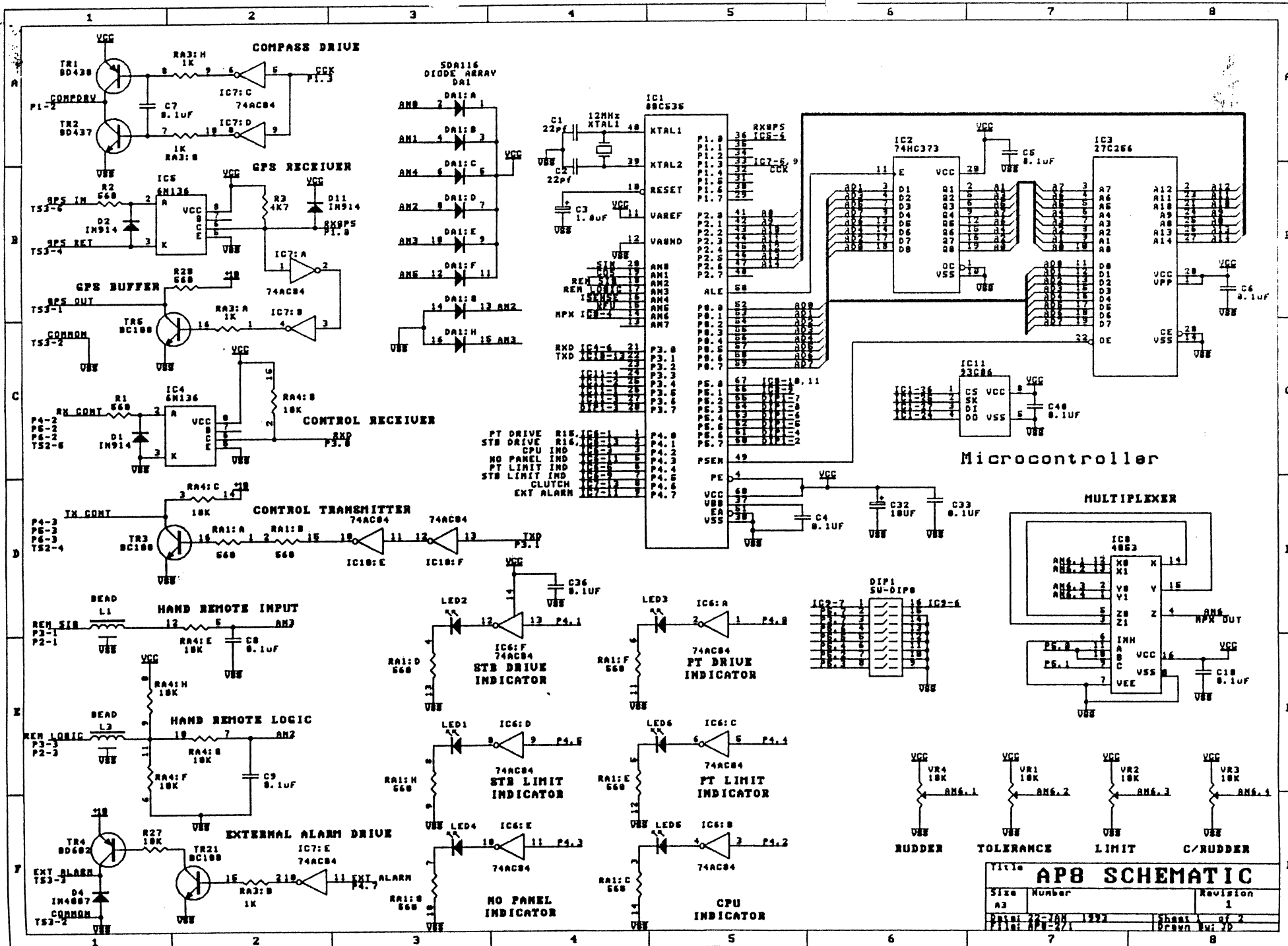


TITLE		
APS HEAD SCHEMATIC		
DATE	NUMBER	REVISION
03		1
BY: [signature]	CHKD: [signature]	DATE: [signature]



Microcontroller

MULTIPLEXER

Title		
APB SCHEMATIC		
Size	Number	Revision
A3		1
Date: 24-JUN 1997	Sheet 1 of 2	
File: APV-2/1	Drawn: Evi JD	