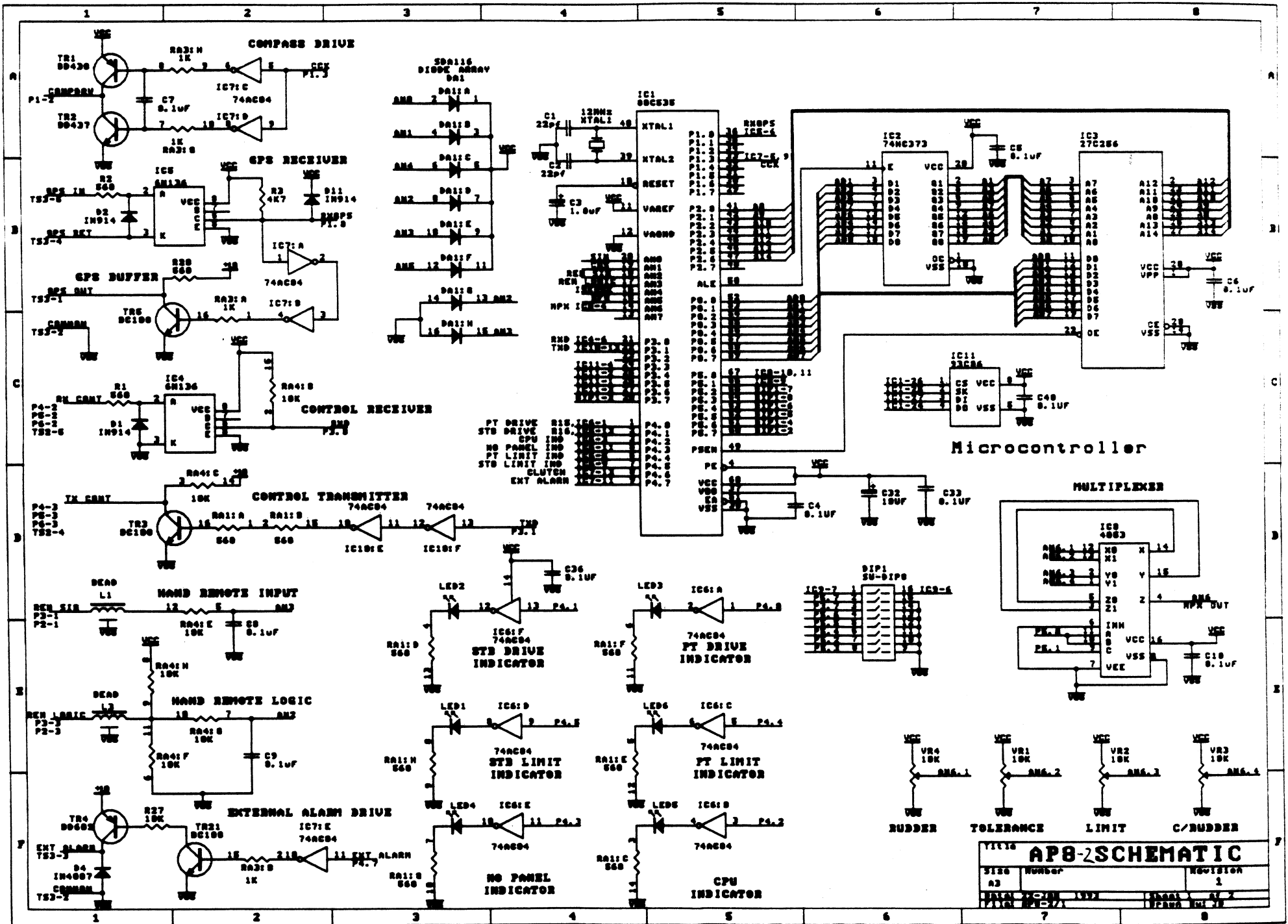
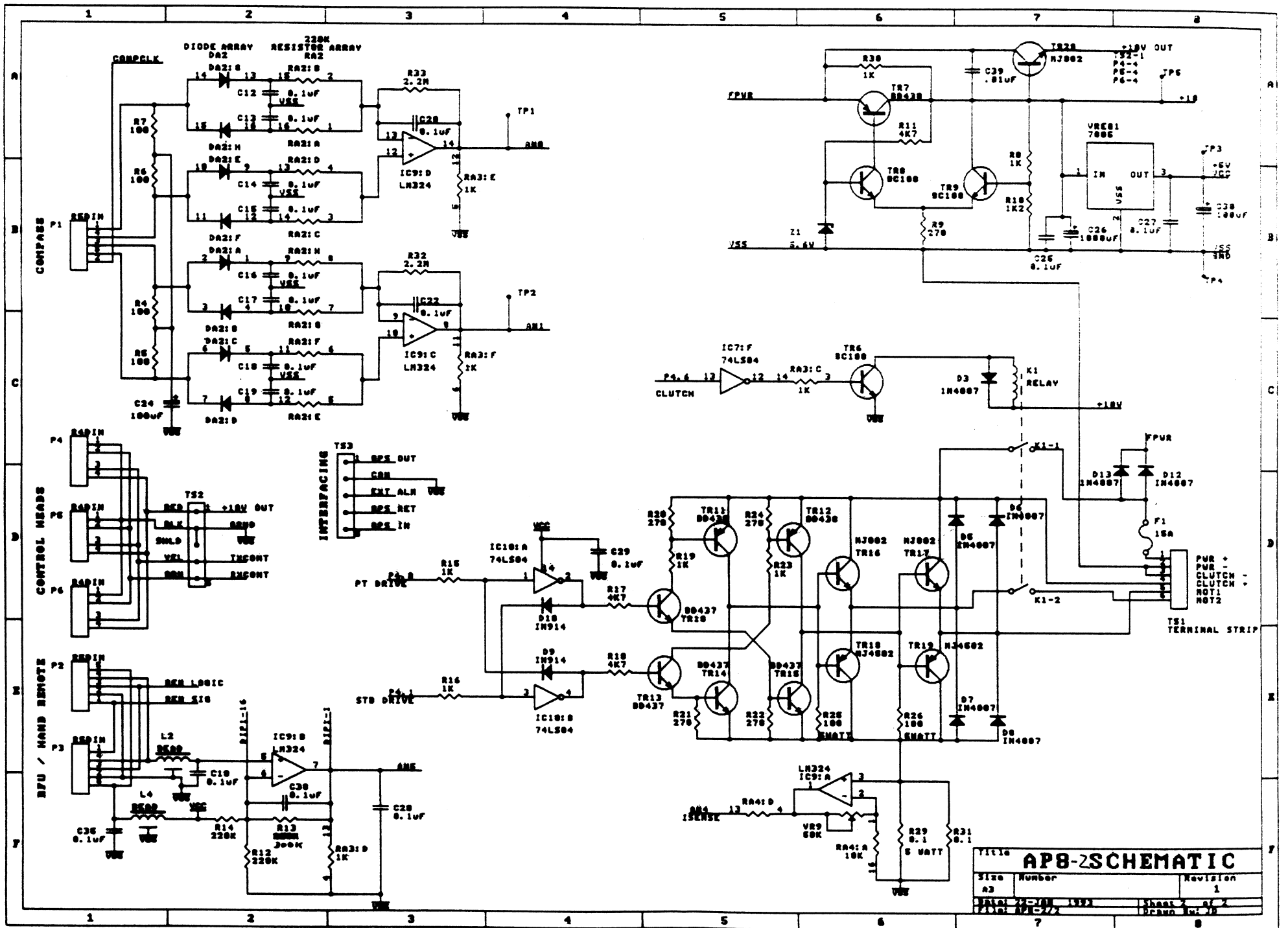


Title
AP8-2HEAD SCHEMATIC
 Size Number Revision
 A3 3
 Date: 2-07K 1993 Sheet 1 of 1
 File: AP8HCAD2/1 Drawn By: JD



AP8-2 SCHEMATIC
 TITLE: AP8-2 SCHEMATIC
 SIZE: A3
 NUMBER: 1
 DATE: 10/19/92
 DRAWN BY: J. J.
 FILE: AP8-2A
 PAGES: 11



Title		
AP8-2SCHEMATIC		
Size	Number	Revision
A3		1
Drawn	Checked	Sheet
APC-272		2 of 2
Drawn	Checked	Drawn