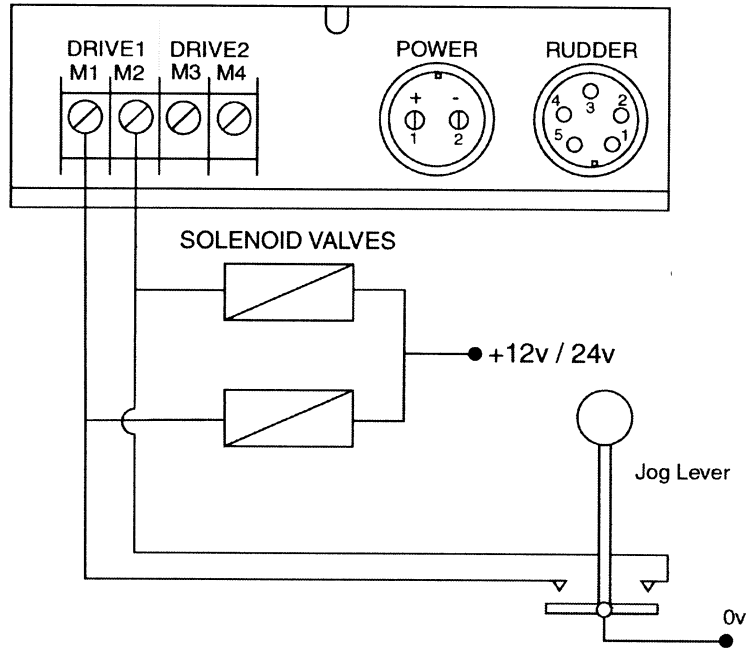


Figure 9 Incorporating a Jog Lever



NOTE:

- The internal fuse **MUST** be removed.
- Manual must be selected for the jog lever to operate correctly.

Figure 5 Single rudder motor and clutch configuration

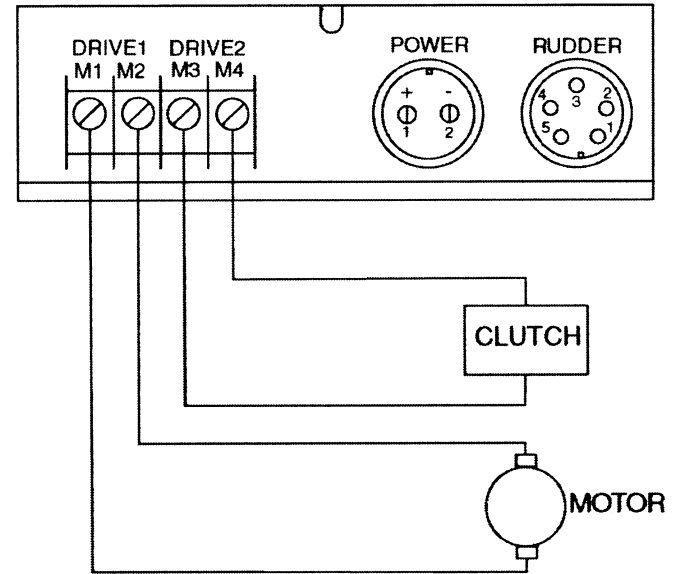


Figure 6 Solenoid Valve Connection Diagram

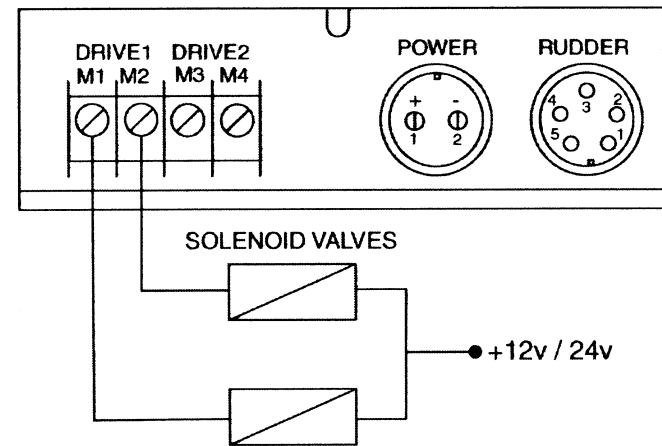


Figure 8 Dual rudder system using solenoid valve and external power supply

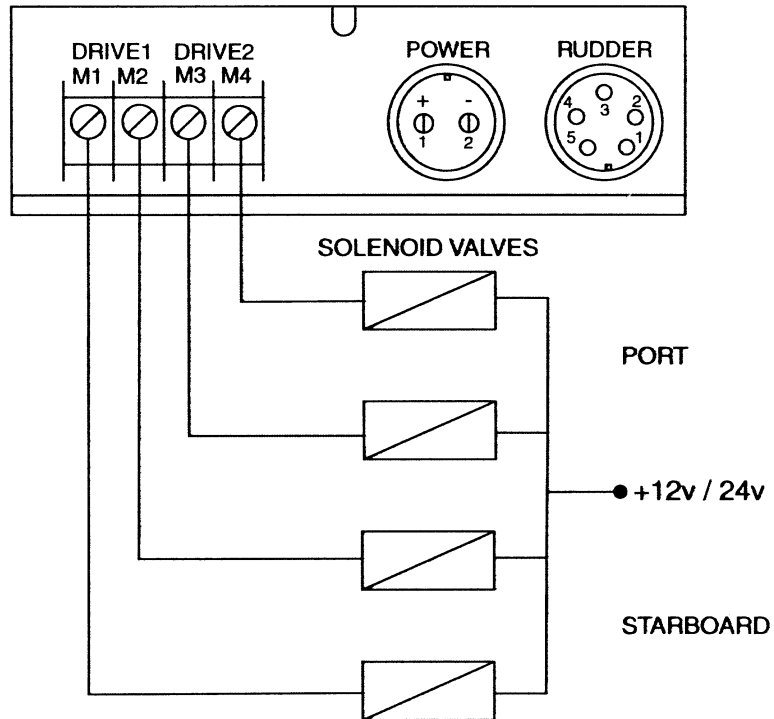
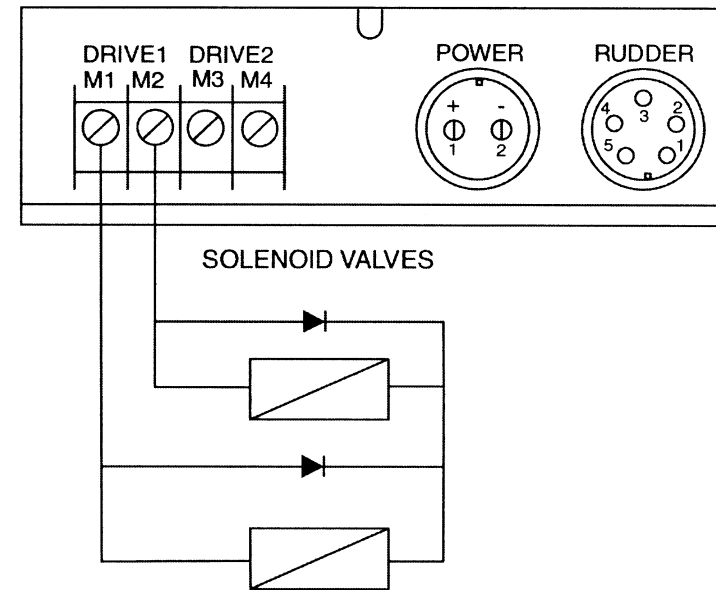


Figure 7 Without using a positive supply to the solenoid valves



Use the diodes available from TMQ or a high current rated device, 2 Amp rating minimum recommended.

The above circuit should be replicated for Drive 2 if solenoid valves are used with the addition of diodes.