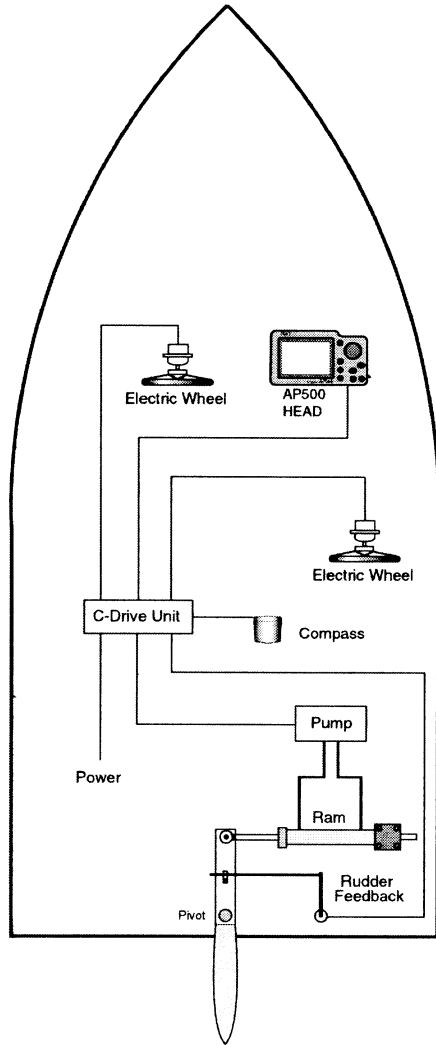


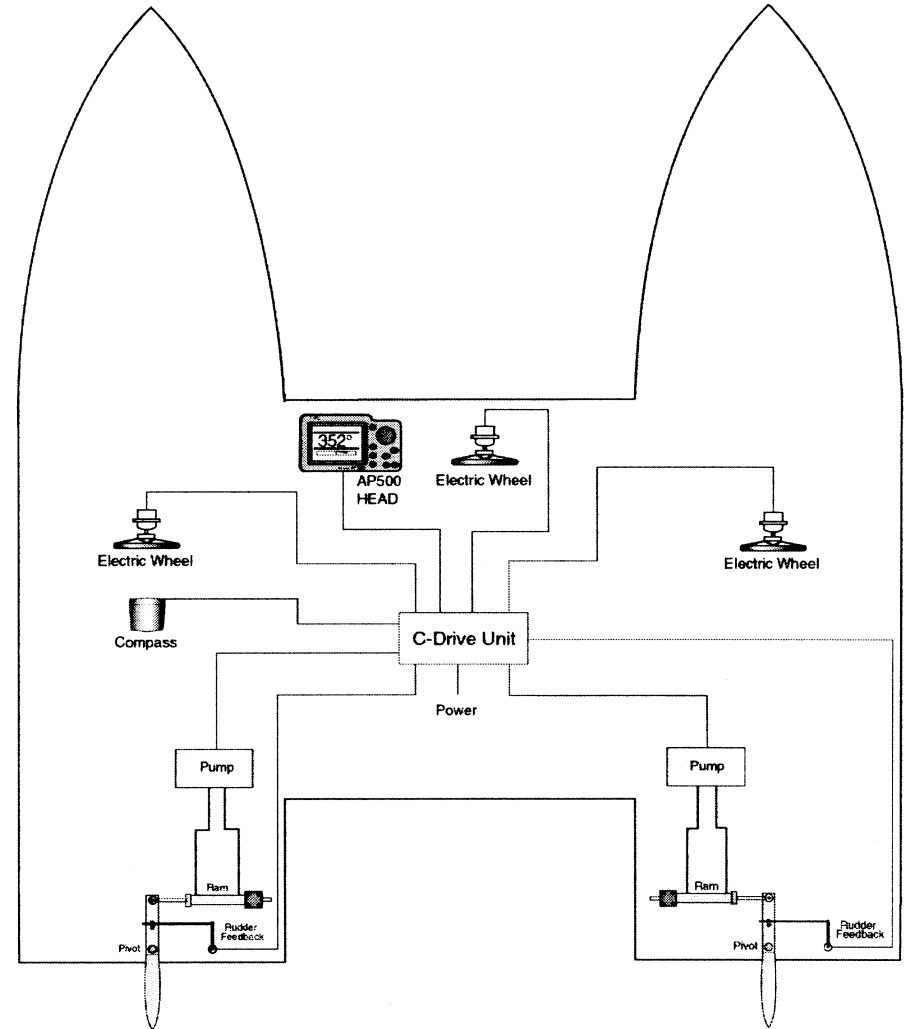
Electric steering connection examples.

Dual Station Electric Steering (C-Drive unit set to Remote Mode 4)



Three Station Electric Steering

C-Drive unit set to Remote Mode 4



Hydraulic Steering System with Electric Wheel

C-Drive unit set to Remote Mode 1

