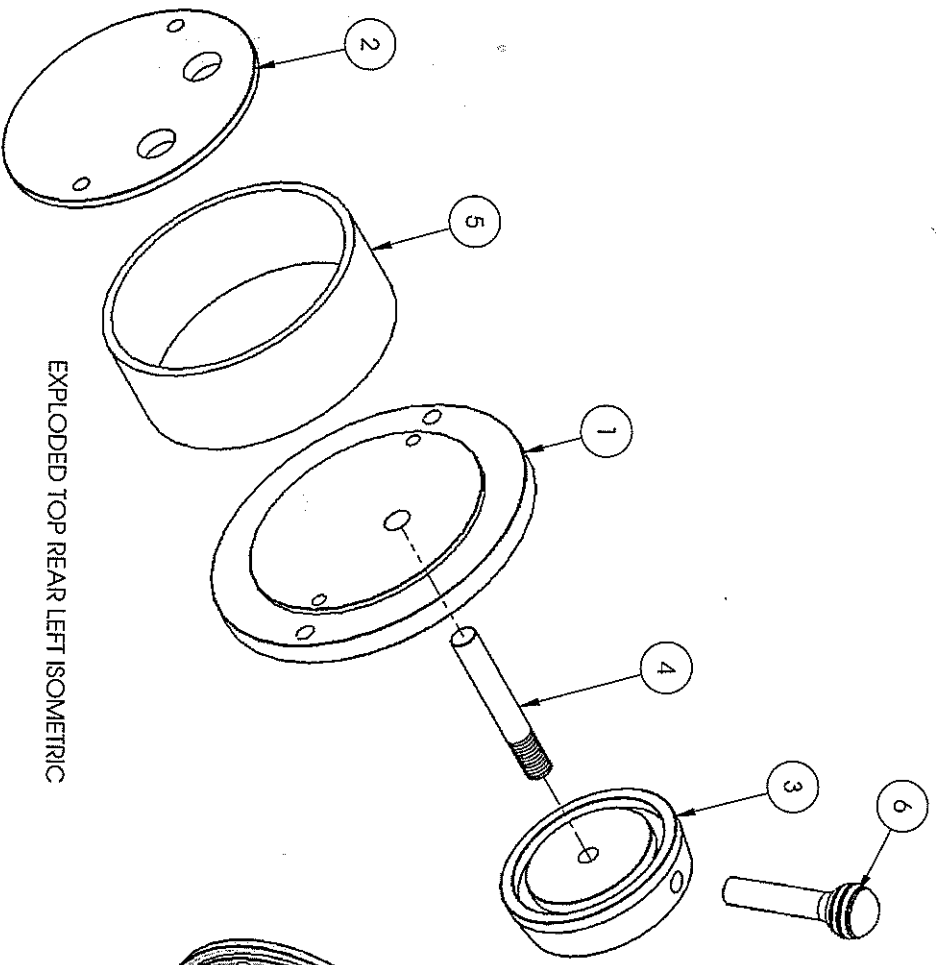


REVISIONS		
REV.	DESCRIPTION	DATE
DEV-01		8/4/2005
REL-01	RELEASED FOR PRODUCTION	9/15/2005



EXPLODED TOP REAR LEFT ISOMETRIC

ITEM NO.	QTY.	PART NO.	DESCRIPTION
1	1	TMQ-JOB-001	STEERING HOUSING FRONT PLATE
2	1	TMQ-JOB-002	STEERING HOUSING BASE PLATE
3	1	TMQ-JOB-003	STEERING HOUSING KNOB
4	1	TMQ-JOB-004	STEERING HOUSING DOWEL PIN
5	1	TMQ-JOB-005	STEERING HOUSING BODY SPACER
6	1	TMQ-JOB-006	STEERING HOUSING LEVER

SCALE: 1:1.5

REV: REL-01

MATERIAL: -

WEIGHT: -

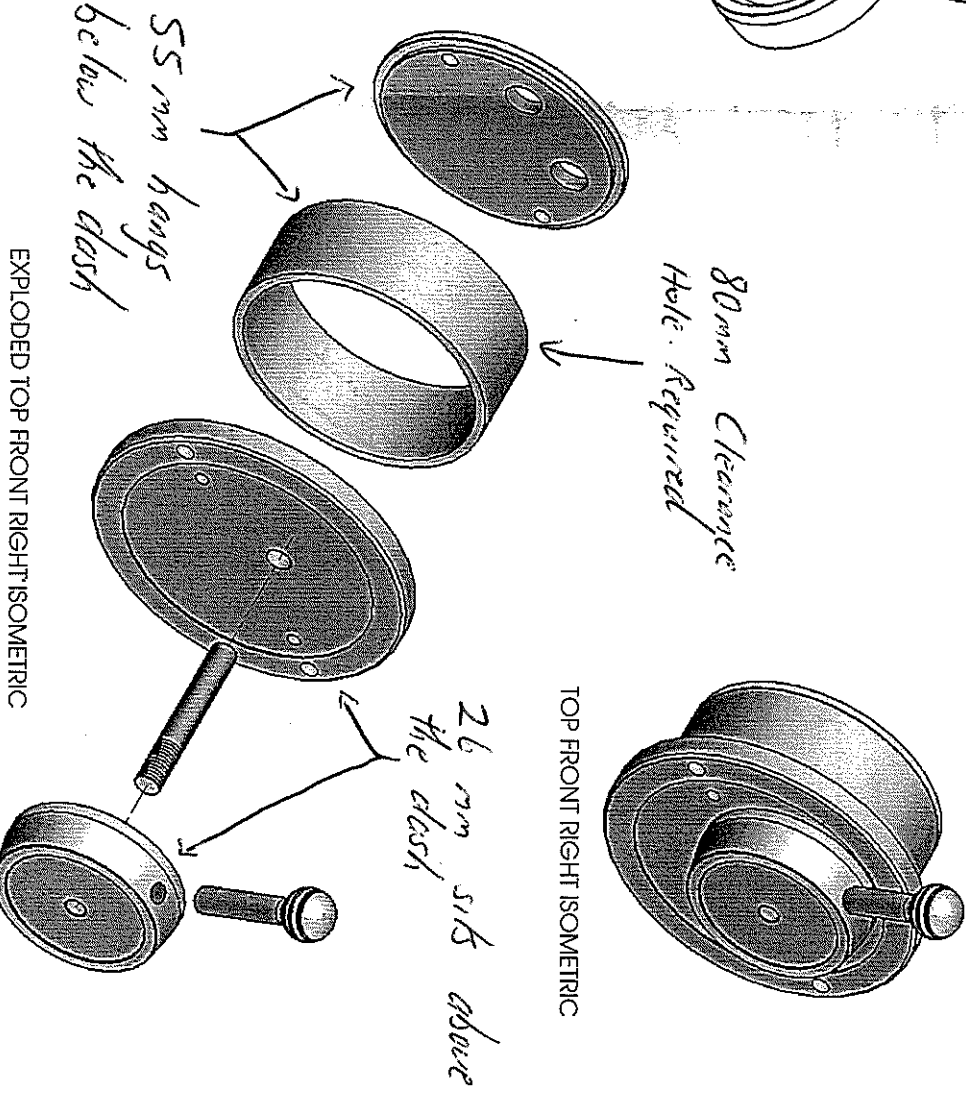
FINISH: -

UNLESS OTHERWISE STATED
ALL DIMENSIONS IN MILLIMETRES

LINEAR: 0 = +1
0.0 = ±0.1
0.00 = ±0.01

ANGULAR: 0 = +1
0.0 = ±0.1
0.00 = ±0.01

SHEET #: 1 OF 1



EXPLODED TOP FRONT RIGHT ISOMETRIC

TITLE:

ASSEMBLY DETAIL
STEERING HOUSING
TMQ Electronics

These designs, drawings and specifications and the copyright herein are the property of the customer of TMQ Electronics and must not be divulged to any other party, reproduced or copied wholly or in part without the written permission of the customer.

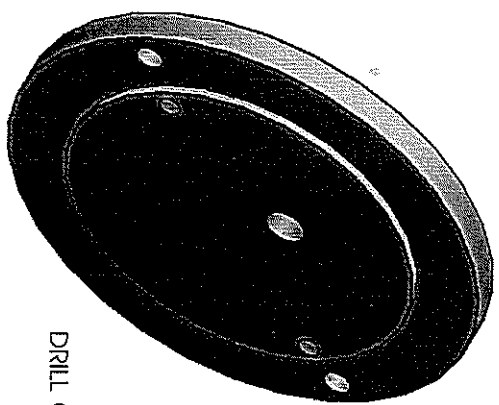
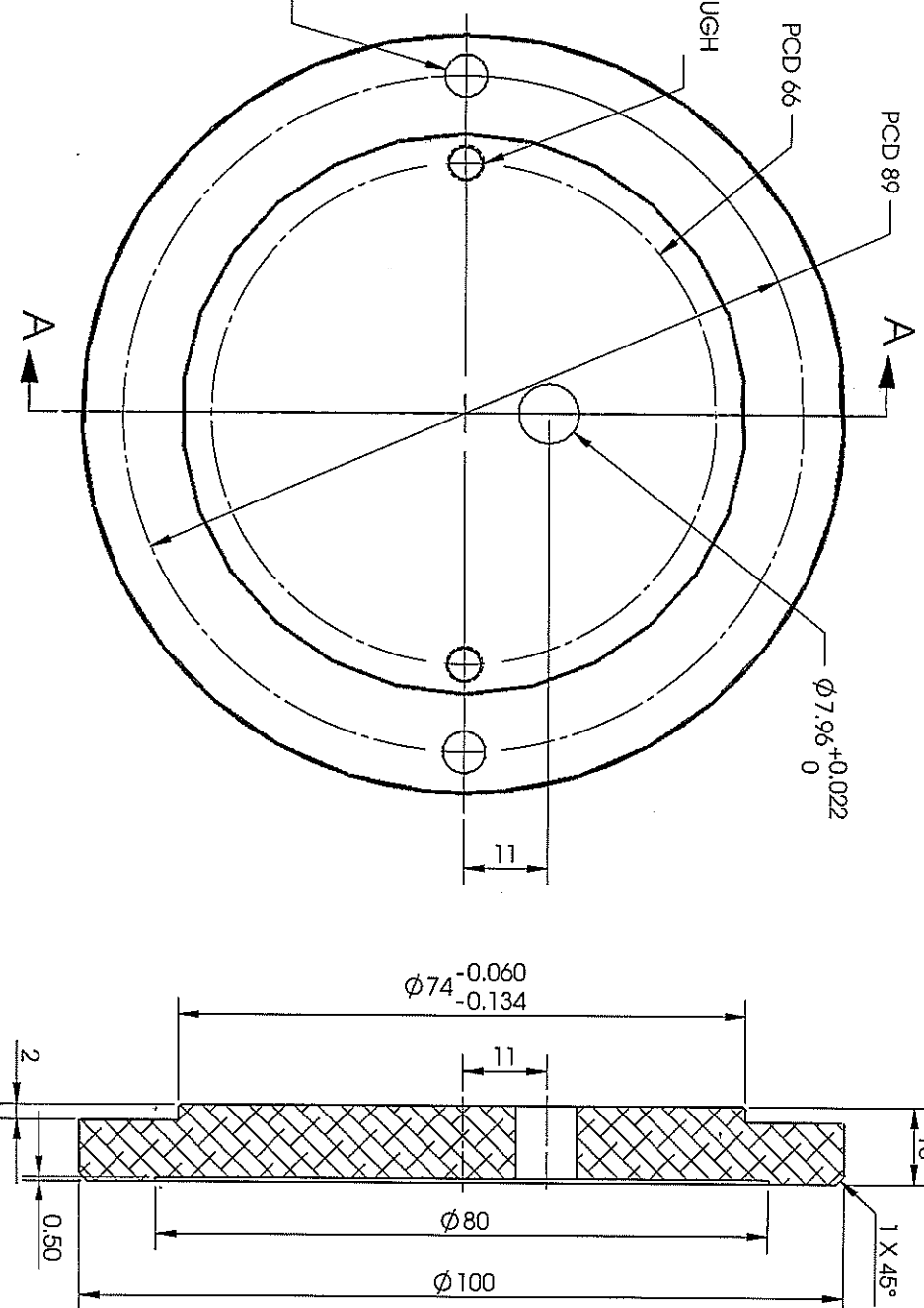
CAD FILE NAME:
TMQ-JOB-000

16 ARMADA PL. BANYO, BRISBANE QLD 4014
TELEPHONE: 0412232839 FACSIMILE: (07) 3287 0056

DRAWING NUMBER:
TMQ-JOB-000

1 2 3 4 5 6 7 8 9 10

REV.	DESCRIPTION	DATE	APPROVED
DEV-01	RELEASED FOR PRODUCTION	8/4/2005	
REL-01	8mm HOLE CHANGED TO 5/16"	9/15/2005	
REL-02		9/27/2005	



ISOMETRIC

PART #: TMQ-JOB-001
 MTRL: Ø4" 2011 T4 ALUMINIUM
 QTY: 100

SECTION A-A

SCALE:	1.5:1	UNLESS OTHERWISE STATED ALL DIMENSIONS IN MILLIMETRES
REV:	REL-02	
MATERIAL:	-	LINEAR: 0 = ±1 0.0 = ±0.1 0.00 = ±0.01
WEIGHT:	-	ANGULAR: 0 = ±1 0.0 = ±0.1 0.00 = ±0.01
FINISH:	-	

MODELLED:	COMPANY	NAME	DATE	SIGNED
TMQ	TMQ	J. OLIVER	03/08/05	
DESIGN CHECKED:	TMQ			
APPROVED:	TMQ			
Q.A. CHECK	OLITEK	D.GREEN		

TITLE: **DETAIL DRAWING STEERING DECAL MOUNT PLATE**
 TMQ Electronics

CAD FILE NAME: TMQ-JOB-001

DRAWING NUMBER: TMQ-JOB-001

16 ARMADA PL, BANYO, BRISBANE QLD 4014
 TELEPHONE: 041232839 FACSIMILE: (07) 3267 0055

These designs, drawings and specifications and the copyright therein are the property of the customer of TMQ Electronics and must not be divulged to any other party, reproduced or copied, in whole or in part, without the written permission of the customer.

1 2 3 4 5 6 7 8 9 10