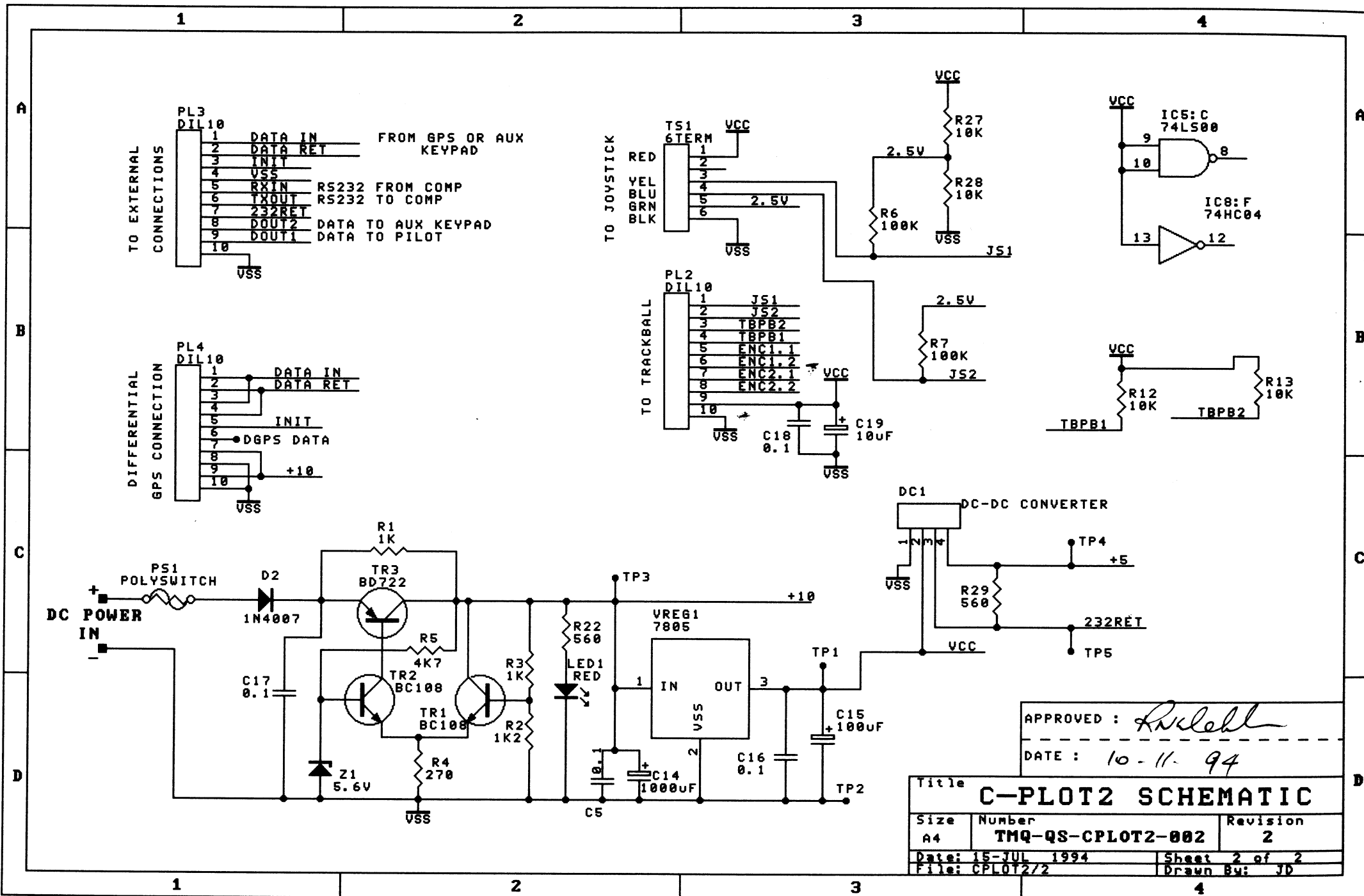


Microcontroller

APPROVED: *[Signature]*
 DATE: 10-11-99

Title		
C-PLOT2 SCHEMATIC		
Size	Number	Revision
A3	THQ-QS-CPLOT2-001	3
Date: 18-JUL 1994	Sheet 1 of 2	
File: CPLOT2/	Drawn BY: JD	



APPROVED : *Andeh*
 DATE : 10-11-94

Title C-PLOT2 SCHEMATIC		
Size A4	Number TMQ-QS-CPLOT2-002	Revision 2
Date: 15-JUL 1994	Sheet 2 of 2	
File: CPL02/2	Drawn By: JD	