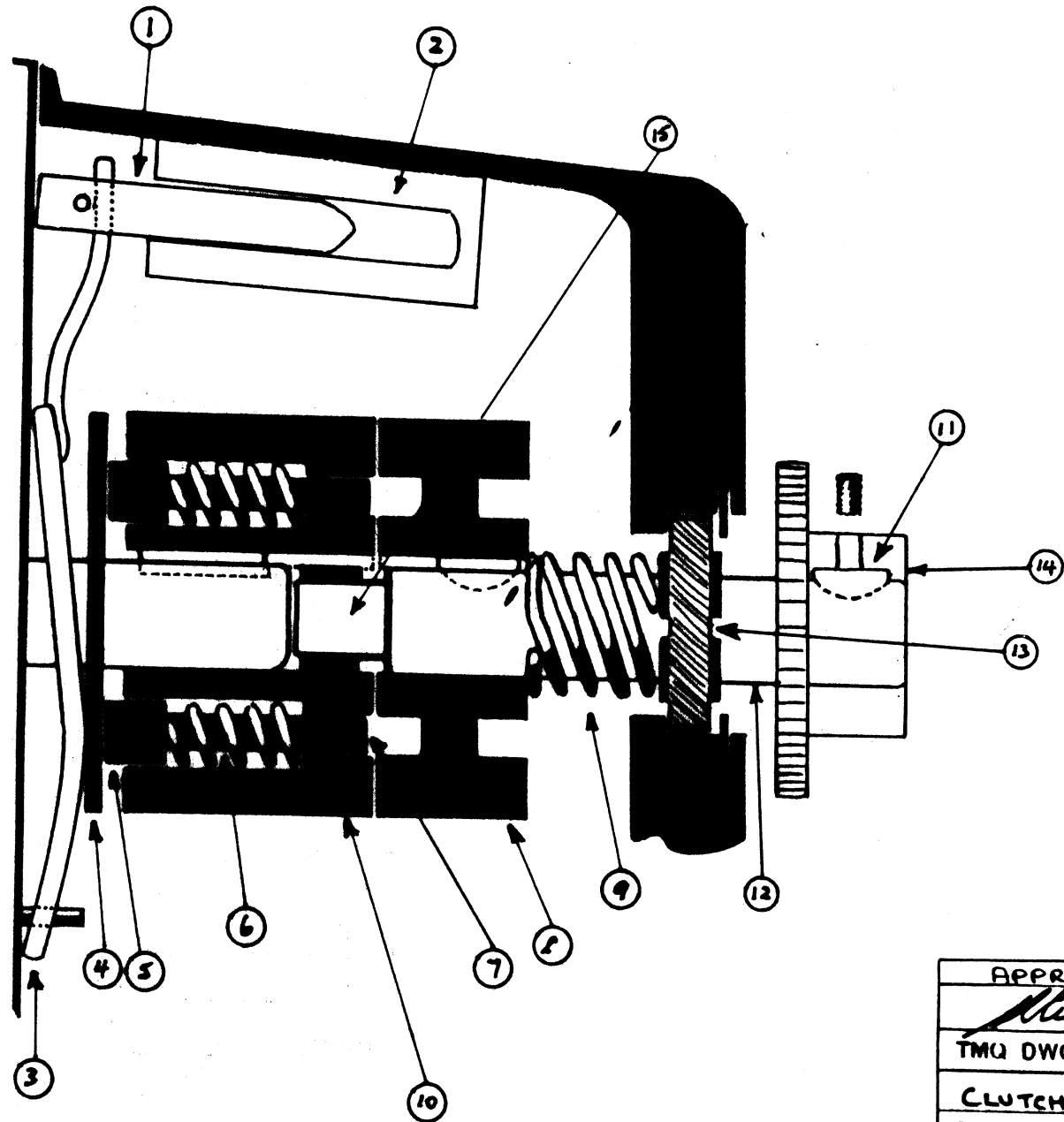
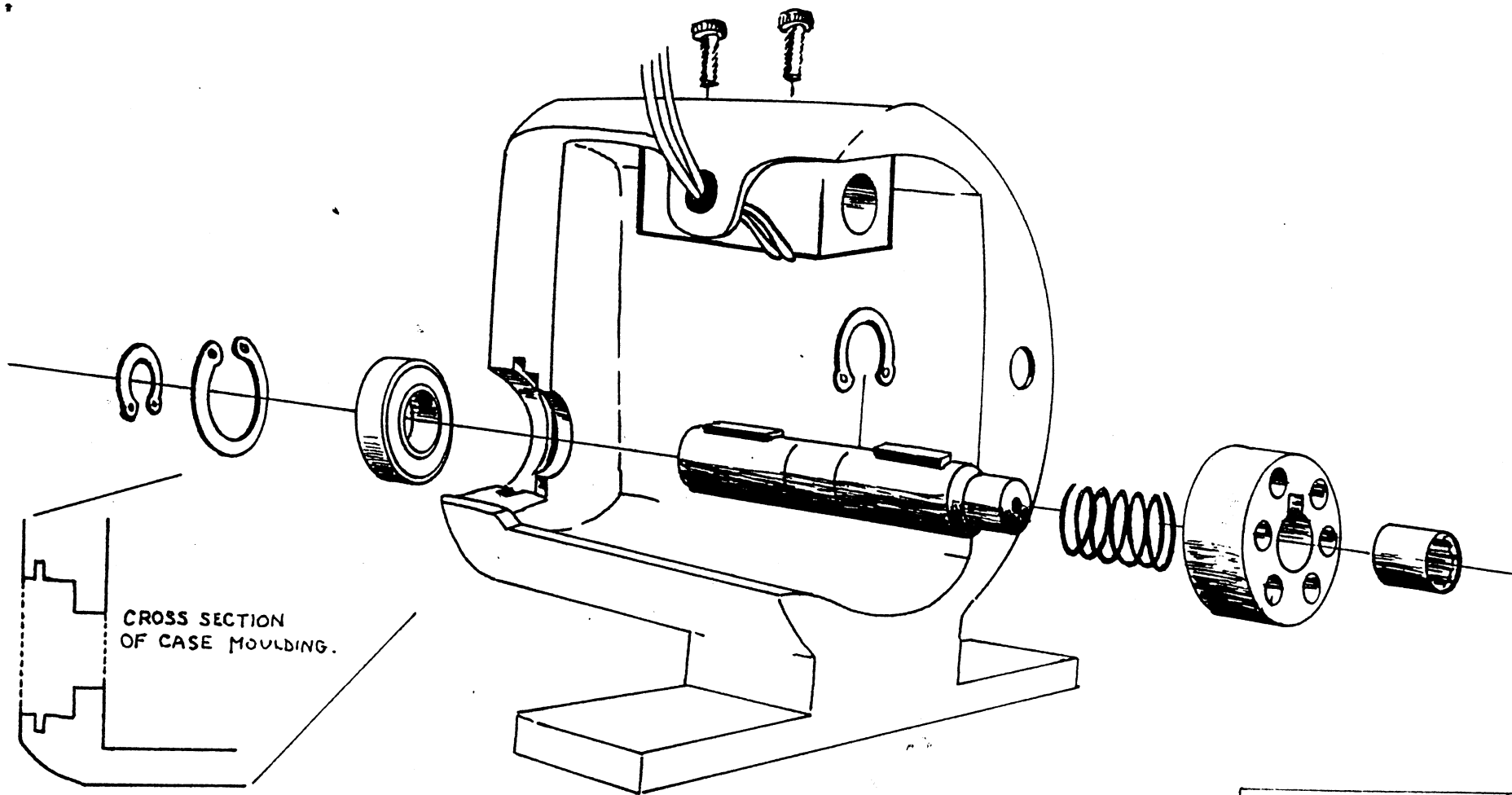


APPROVED BY		DATE
<i>A. Butler</i>		7-7-94
Title MECH. DRIVE - CROSS SECTION		
Size	Number	Revision
A4	OM 1-15-11	0
Date:	7-7-94	Sheet 1 of 18
File:	A4BLANK/1	Drawn By: M.L.

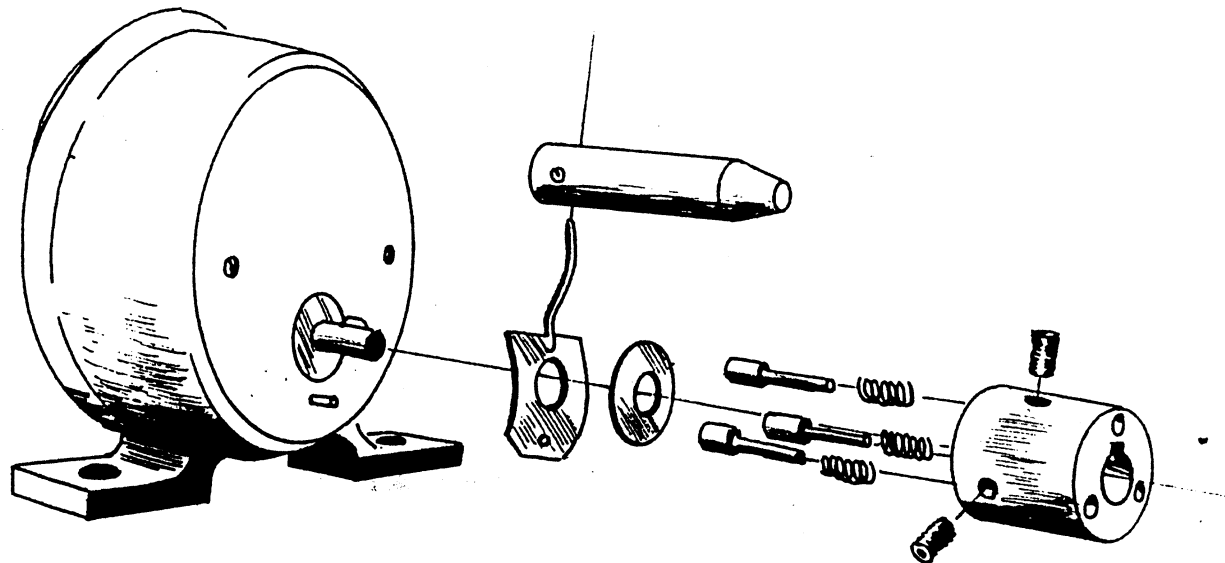
- ① Plunger
- ② Solenoid Coil
- ③ Lever Plate
- ④ Disk
- ⑤ Pin
- ⑥ Pin Spring
- ⑦ Pin Face 0.5mm back from barrel face
- ⑧ Slider
- ⑨ Slider Spring
- ⑩ Barrel
- ⑪ Woodruff Key #7
- ⑫ Clutch shaft
- ⑬ Main clutch bearing
- ⑭ 16T-06B Sprocket
- ⑮ Needle roller bearing



APPROVED	DATE
<i>Miller</i>	7-7-94
TMQ DWG. QA. No.: 0M1-15-10	
CLUTCH ASSEMBLY	
REVISION: 1	
DRAWN BY: <i>ML</i>	DATE: 1
CHECKED BY: <i>PC</i>	QCC: <i>PC</i>



APPROVED	DATE
<i>Blatter</i>	7-7-94
TMQ DWG. QA. No.: OM 1-15-9	
CLUTCH CASTING ASSEMBLY	
REVISION: 1	
DRAWN BY: <i>ML</i>	DATE:
CHECKED BY: <i>AC</i>	QCC: <i>AC</i>



APPROVED	DATE
<i>Miller</i>	7-7-94
TMQ DWG. QA. No.: 0M1-15-8	
CLUTCH PARTS ASSEMBLY	
REVISION: 1	
DRAWN BY: <i>ML</i>	DATE:
CHECKED BY: <i>HC</i>	QCC: <i>HC</i>